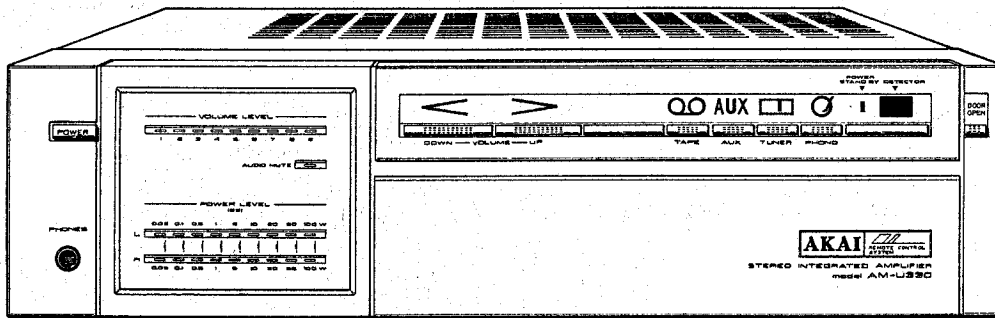


AKAI SERVICE MANUAL



STEREO INTEGRATED AMPLIFIER

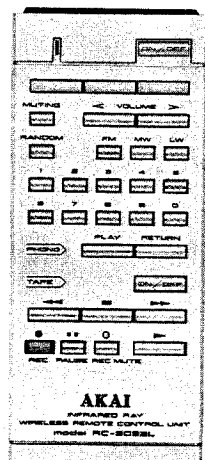
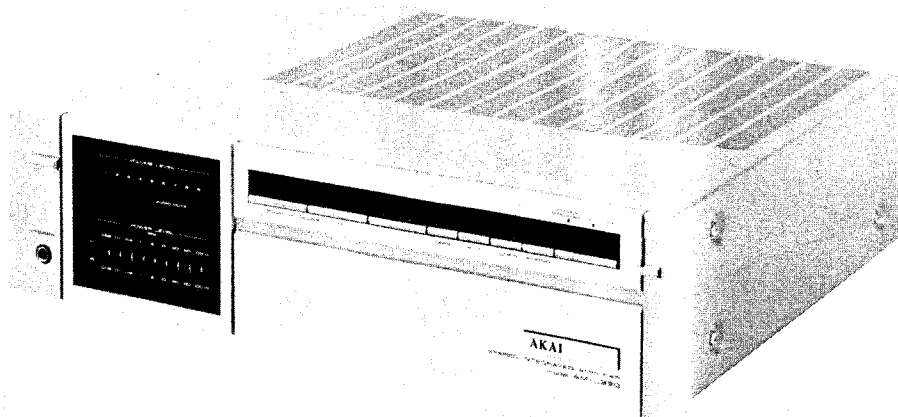
MODEL **AM-U330T/TL**

REMOTE CONTROL UNIT

MODEL **RC-3033/L**

AM-U330T/TL
RC-3033/L

2030



STEREO INTEGRATED AMPLIFIER

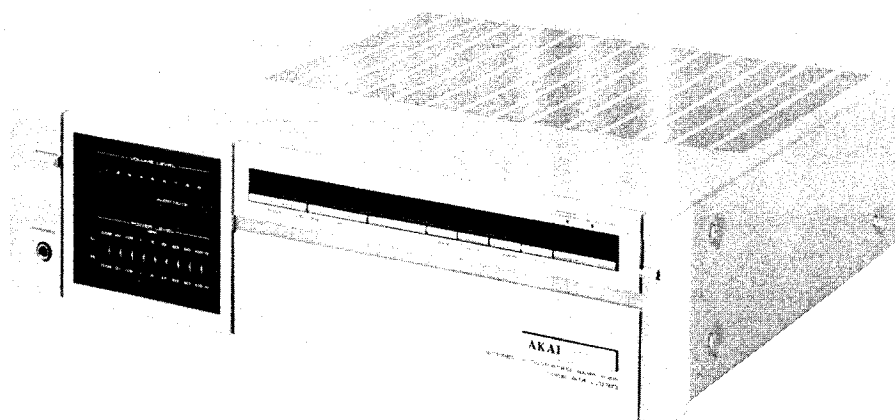
MODEL **AM-U330T/TL**

REMOTE CONTROL UNIT

MODEL **RC-3033/L**

TABLE OF CONTENTS

SECTION 1	AM-U330T/TL.....	1
SECTION 2	RC-3033/L.....	21
SECTION 3	PARTS LIST.....	27
SECTION 4	SCHEMATIC DIAGRAM.....	33



SECTION 1

SERVICE MANUAL

**STEREO INTEGRATED AMPLIFIER
MODEL AM-U330T/TL**

For Service Manuals
MAURITRON SERVICES
 8 Cherry Tree Road, Chinnor
 Oxfordshire, OX9 4QY.
 Tel (01844) 351694
 Fax (01844) 352554
 email: mauritron@dial.pipex.com

TABLE OF CONTENTS

I. SPECIFICATIONS	2
II. DISMANTLING OF UNIT	3
III. CONTROLS	4
IV. PRINCIPAL PARTS LOCATION.....	5
V. VOLTAGE CONVERSION	6
VI. OPERATION OF TC9135P	7
1. CIRCUIT DIAGRAM.....	7
2. DESCRIPTION OF PIN FUNCTION	8
VII. CONNECTION OF REMOTE OUT	8
VIII. ADJUSTMENT.....	9
1. CENTER OFF-SET VOLTAGE ADJUSTMENT.....	11
2. ELECTRONIC VOLUME ADJUSTMENT	11
3. POWER LEVEL INDICATOR SENSITIVITY ADJUSTMENT	11
4. VOLUME LEVEL INDICATOR SENSITIVITY ADJUSTMENT	11
IX. CLASSIFICATION OF VARIOUS P.C BOARDS	12
1. P.C BOARD TITLES AND IDENTIFICATION NUMBERS.....	13
2. COMPOSITION OF VARIOUS P.C BOARDS	14

For basic adjustments, measuring methods, and operating principles, refer to
GENERAL TECHNICAL MANUAL.

I. SPECIFICATIONS

POWER AMPLIFIER SECTION

RATED POWER OUTPUT (2 Channels driven) 20 to 20,000 Hz 1,000 Hz	8 ohms 55W/0.03% 55W/0.03%	4 ohms 65W/0.03% 65W/0.03%
POWER BANDWIDTH (IHF -3 dB, 8 ohms)	5 Hz to 50 kHz/0.03%	
SIGNAL TO NOISE RATIO (IHF-A) PHONO AUX	75 dB 80 dB	
RESIDUAL NOISE (IHF-A) (8 ohms)	190 μ V	
CHANNEL SEPARATION (IHF, 1 kHz)	55 dB	
DAMPING FACTOR (1 kHz, 8 ohms)	60	
OUTPUT Speakers Headphones	4 to 16 ohms 4 to 16 ohms	

PREAMPLIFIER SECTION

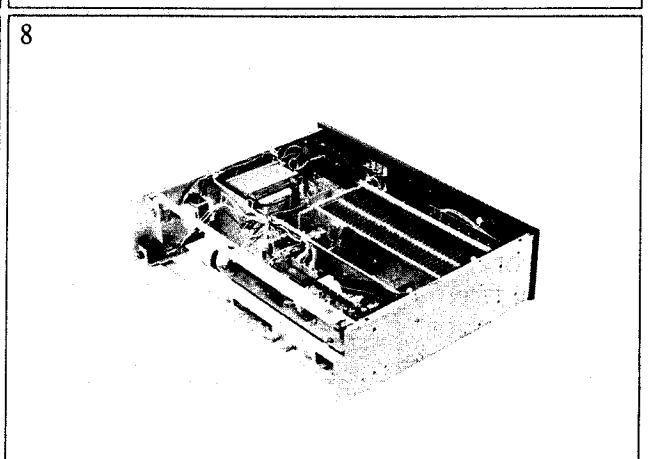
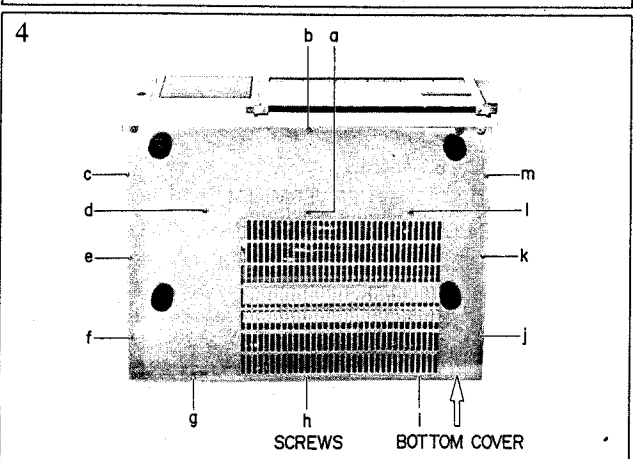
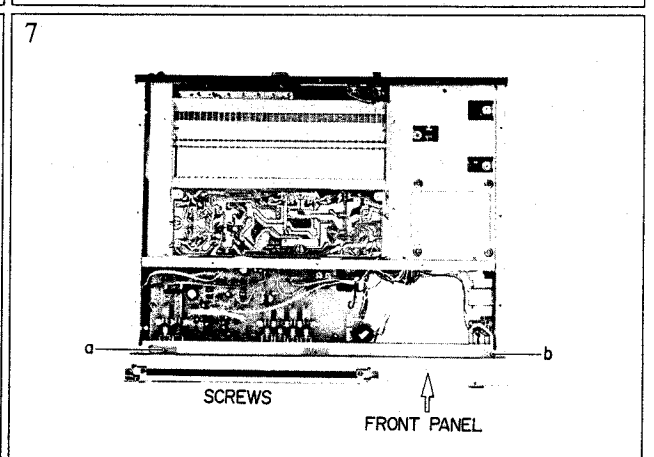
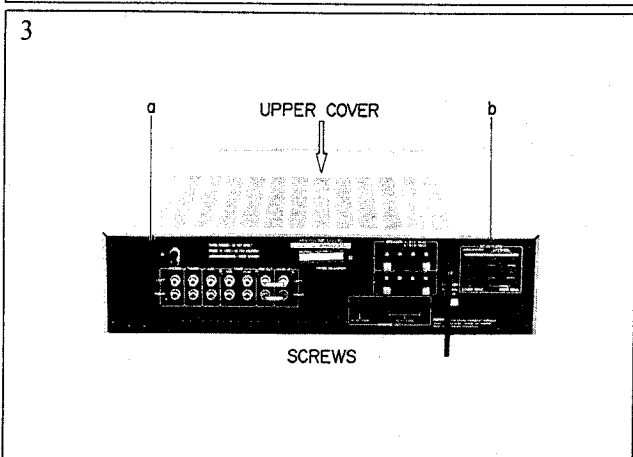
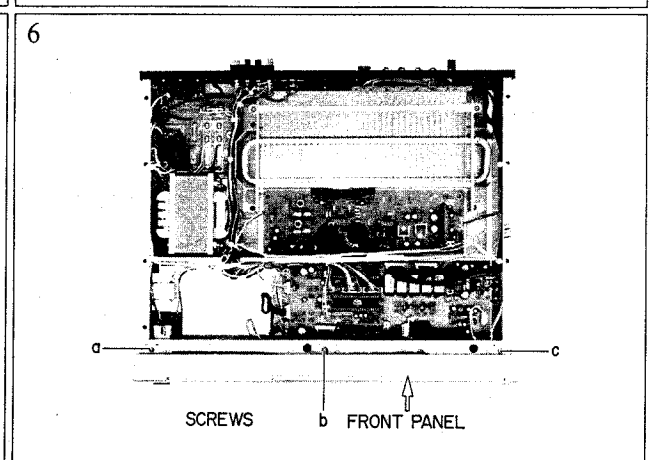
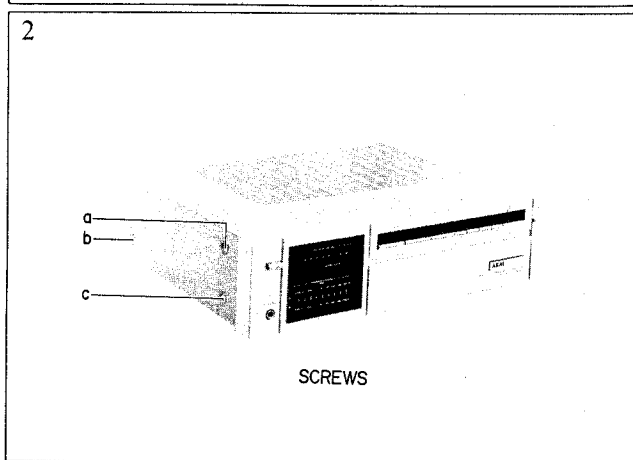
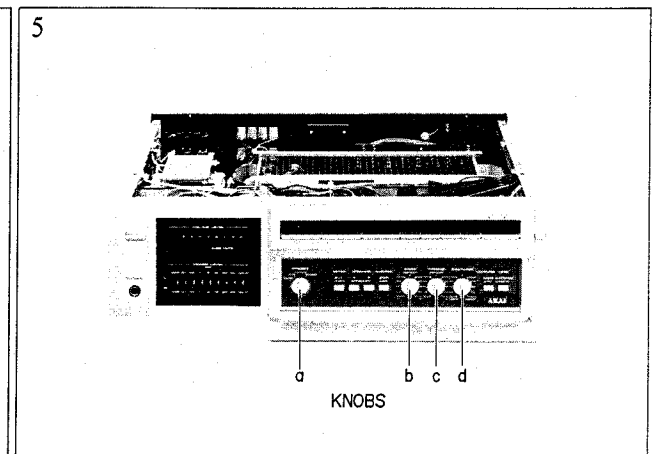
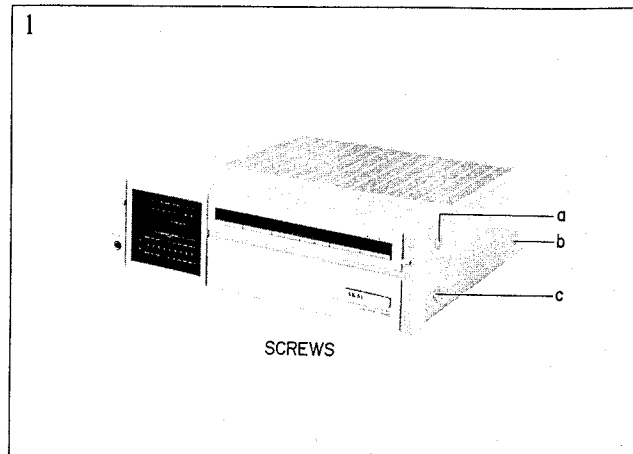
INPUT SENSITIVITY/IMPEDANCE PHONO MM AUX TUNER TAPE	3 mV/47 kohms 150 mV/100 kohms 150 mV/100 kohms 400 mV/30 kohms	
OUTPUT LEVEL/IMPEDANCE Tape Rec Pre Out	150 mV 1V/600 ohms	
FREQUENCY RESPONSE PHONO (RIAA Deviation) TUNER, AUX, TAPE	20 Hz to 20 kHz +0 -3 dB 5 Hz to 80 kHz +0 -3 dB	
TONE CONTROL Bass Treble	\pm 8 dB (100 Hz) \pm 8 dB (10 kHz)	
LOUDNESS CONTROL (Volume set at -30 dB Position)	+8.5 dB (100 Hz) +4.5 dB (10 kHz)	
FILTER Low (Subsonic)	-3 dB/oct. 18 Hz	
PHONO MAX INPUT (1 kHz) MM	180 mV	
POWER REQUIREMENT	120V, 60 Hz for USA and Canada 220V, 50 Hz for Europe except UK 240V, 50 Hz for UK and Australia 110V/220V/240V, 50/60 Hz switchable for other countries	
POWER CONSUMPTION	U/T 220V, CSA, ALL 250W CEE, UK, SAA 430W	
DIMENSIONS	440 (W) \times 123 (H) \times 372 (D) mm (17.3 \times 4.8 \times 14.6 inches)	
WEIGHT	9.9 kg (21.8 lbs)	

* For improvement purposes, specifications and design are subject to change without notice.

II. DISMANTLING OF UNIT

AM-U330T/TL

In case of trouble, etc. necessitating dismantling, please dismantle in the order shown in the photographs. Reassemble in reverse order.



III. CONTROLS

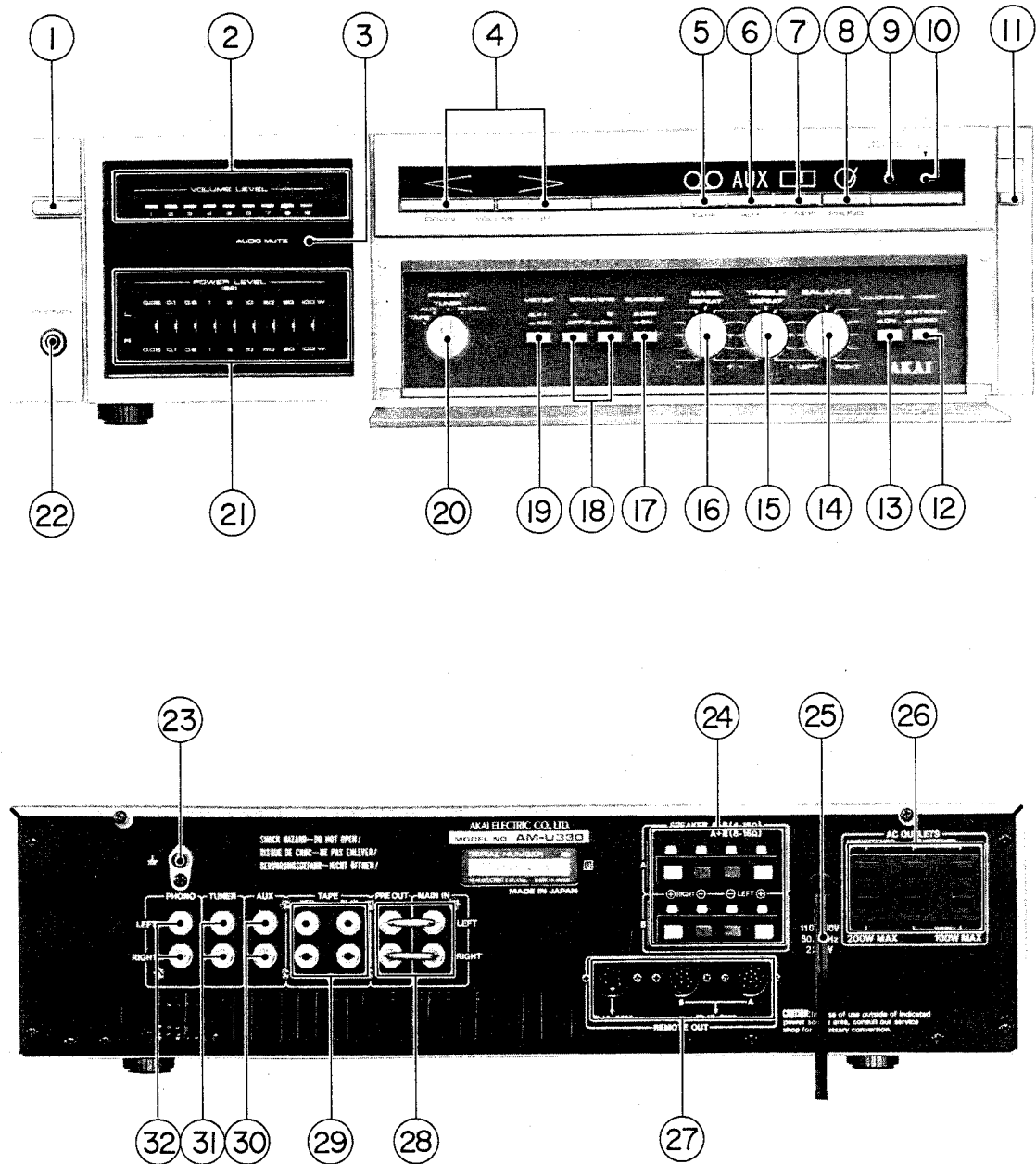


Fig. 1 Controls

- | | |
|-----------------------------------|---|
| 1. POWER SWITCH | 17. SUBSONIC FILTER SWITCH |
| 2. LED VOLUME LEVEL INDICATOR | 18. SPEAKER SWITCHES |
| 3. AUDIO MUTE INDICATOR | 19. METER SELECTOR |
| 4. VOLUME BUTTONS WITH INDICATORS | 20. PRESET SELECTOR |
| 5. TAPE BUTTON WITH INDICATOR | 21. LED POWER LEVEL INDICATOR (L-LEFT, R-RIGHT) |
| 6. AUX BUTTON WITH INDICATOR | 22. HEADPHONES (PHONES) JACK |
| 7. TUNER BUTTON WITH INDICATOR | 23. GROUND TERMINAL |
| 8. PHONE BUTTON WITH INDICATOR | 24. "A" AND "B" SPEAKER TERMINAL |
| 9. POWER STANDBY INDICATOR | 25. POWER CORD |
| 10. DETECTOR | 26. AC OUTLETS |
| 11. DOOR BUTTON | 27. REMOTE OUT JACKS |
| 12. MODE SELECTOR | 28. PRE OUT AND MAIN IN JACKS |
| 13. LOUDNESS SWITCH | 29. TAPE JACKS |
| 14. BALANCE CONTROL | 30. AUX JACKS |
| 15. TREBLE CONTROL | 31. TUNER JACKS |
| 16. BASS CONTROL | 32. PHONO JACKS |

IV. PRINCIPAL PARTS LOCATION

AM-U330T/TL

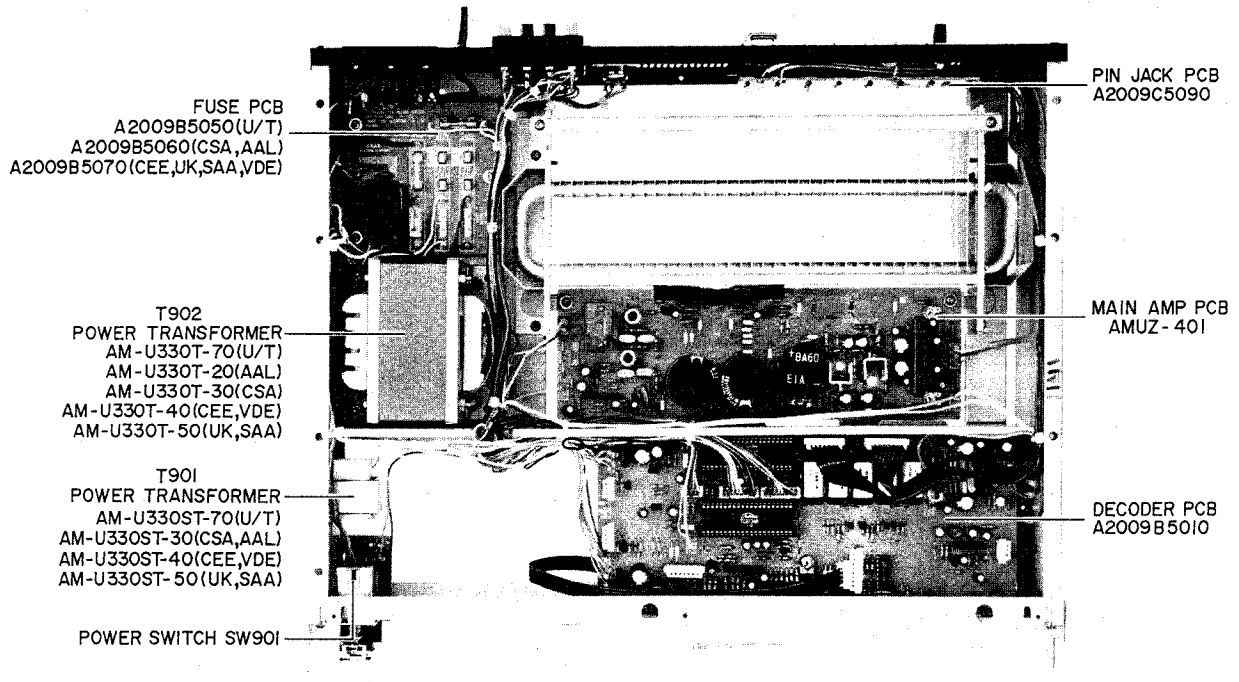


Fig. 2 Top View

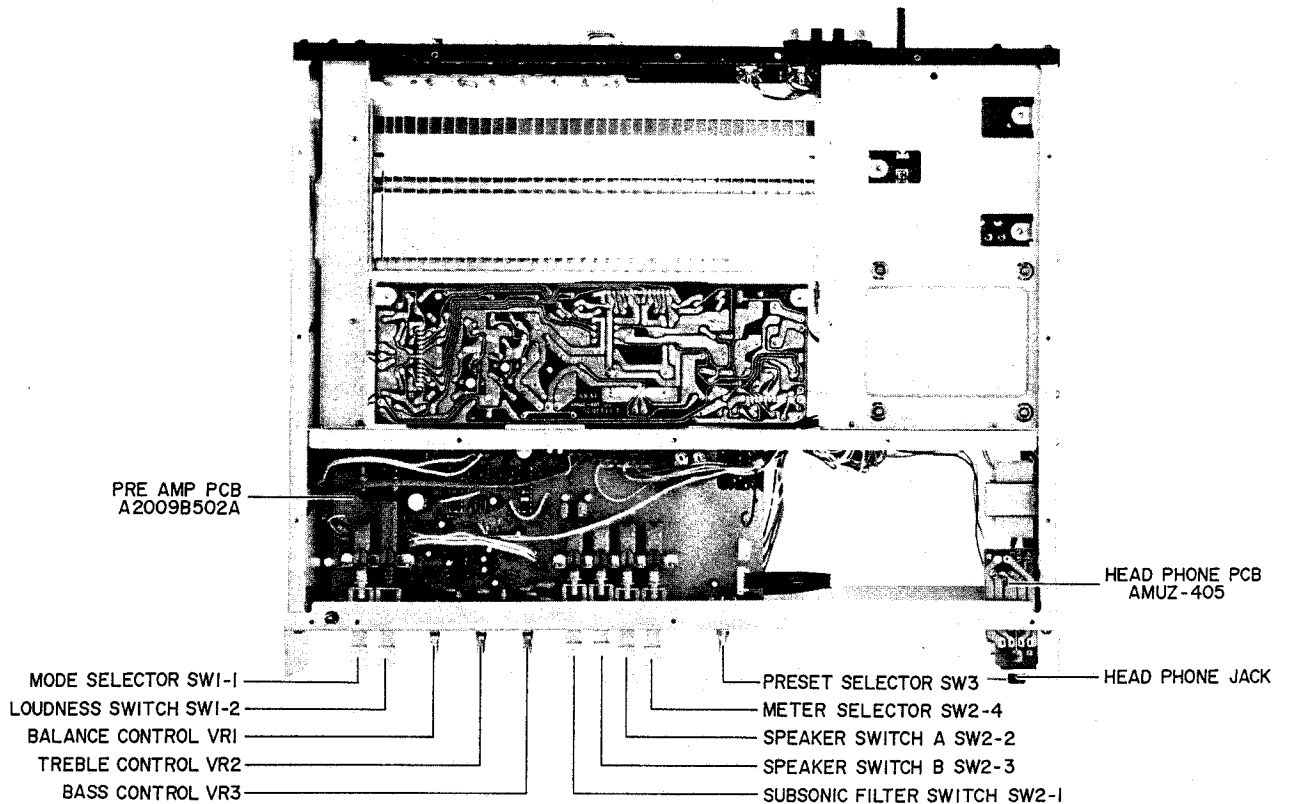


Fig. 3 Bottom View

V. VOLTAGE CONVERSION

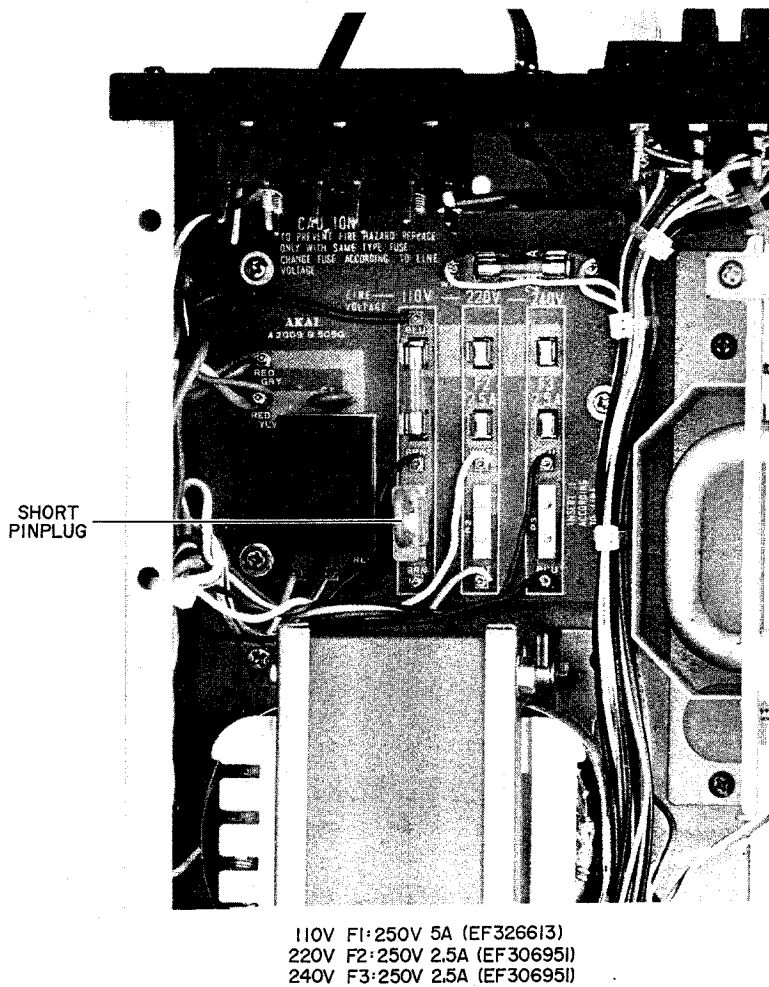


Fig. 4 Voltage Conversion (U/T Model Only)

Models for Canada, USA, Europe, UK and Australia are not equipped with this facility. Each equipment is preset at the factory according to its destination, but some equipments can be set to 110V, 220V or 240V as required.

If your equipment's voltage can be converted, refer the following instructions to a qualified service repair shop or a professional service personnel.

1. Disconnect the Power Cord.
2. Loosen the holding screws and remove the top panel.
3. Remove the existing Line Voltage Fuse and insert the required Line Voltage Fuse into the proper fuse holder. Follow markings explicitly.
4. Remove short pin plug from present holes and replace in correct holes. Follow the markings explicitly.

VI. OPERATION OF TC9135P

TC9135P is a FF IC of 6 circuits which have mutual reset action, and when "L" level signal is given to one input, only the corresponding output is turned ON and all other outputs are turned OFF.

1. CIRCUIT DIAGRAM

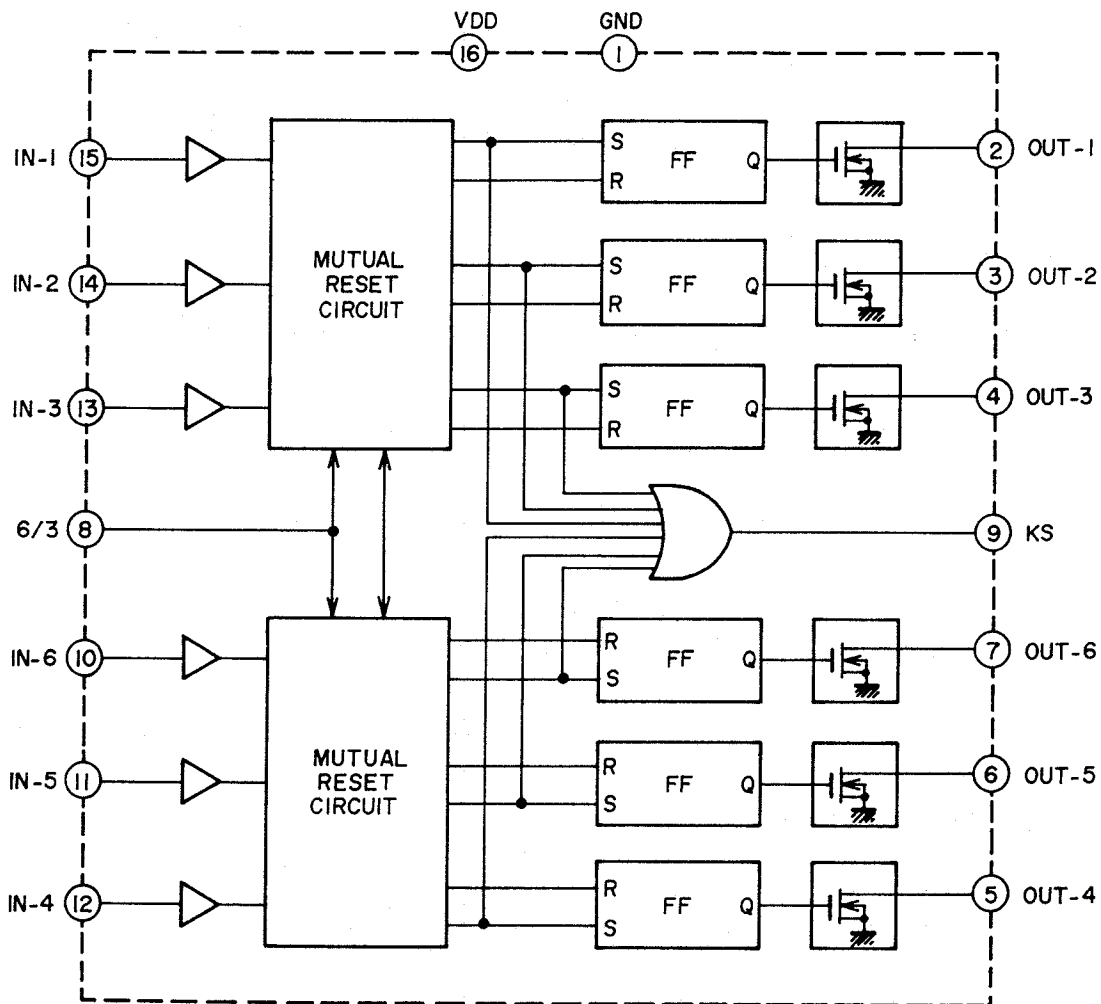


Fig. 5 TC9135P

2. DESCRIPTION OF PIN FUNCTION

PIN NO.	SYMBOL	NAME	FUNCTION
15	IN-1	Input	When any one of the inputs IN-1 – IN-6 is changed from “H” level to “L” level, Nch FET of the corresponding output is turned ON, and the output becomes “L” level. All other outputs become “H” level.
14	IN-2		
13	IN-3		
12	IN-4		
11	IN-5		
10	IN-6		
2	OUT-1	Output	When the corresponding input terminal becomes “L”, Nch FET of the output is turned ON, and the output level becomes “L”. Even if the input signal returns to “H”, the output retains its status, but when input is given to other channel, it is released, and Nch FET is turned OFF and the output becomes “L” level.
3	OUT-2		
4	OUT-3		
5	OUT-4		
6	OUT-5		
7	OUT-6		
9	KS	Input Detection	Only while the signal of “L” level is given to any one of the input terminals IN-1 – IN-6, KS output becomes “H” level.
8	6/3	6 ch/3 ch × 2 Switching Input	When 6/3 input is at “H” level, all the internal 6 circuit FFs are connected together as mutual reset type. When 6/3 input is at “L” level, they are separated into 3 channel mutual reset types of IN-1 – IN-3 and IN-4 – IN-6.
16	V _{DD}		
1	GND		

Fig. 6 Pin Function Table

VII.CONNECTION OF REMOTE OUT

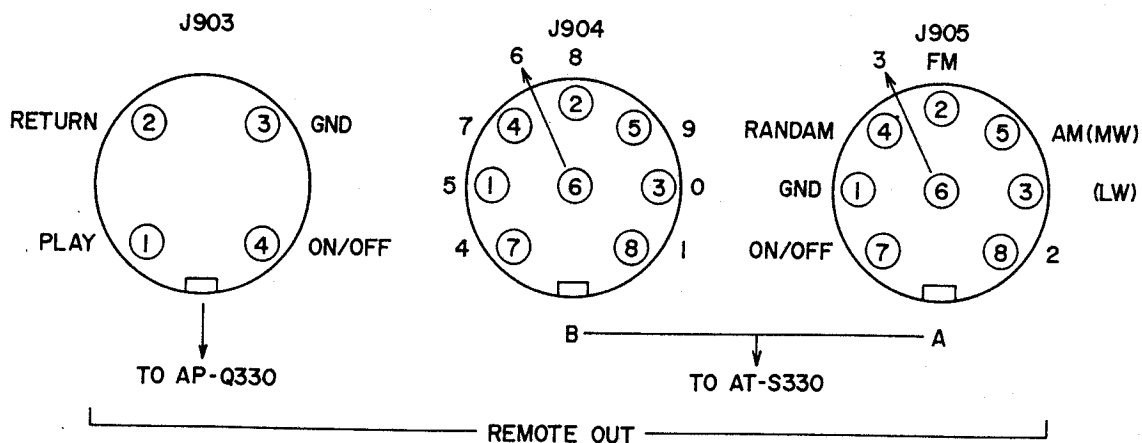


Fig. 7 Connection of Remote Out (Rear View)

VIII. ADJUSTMENT

AM-U330T/TL

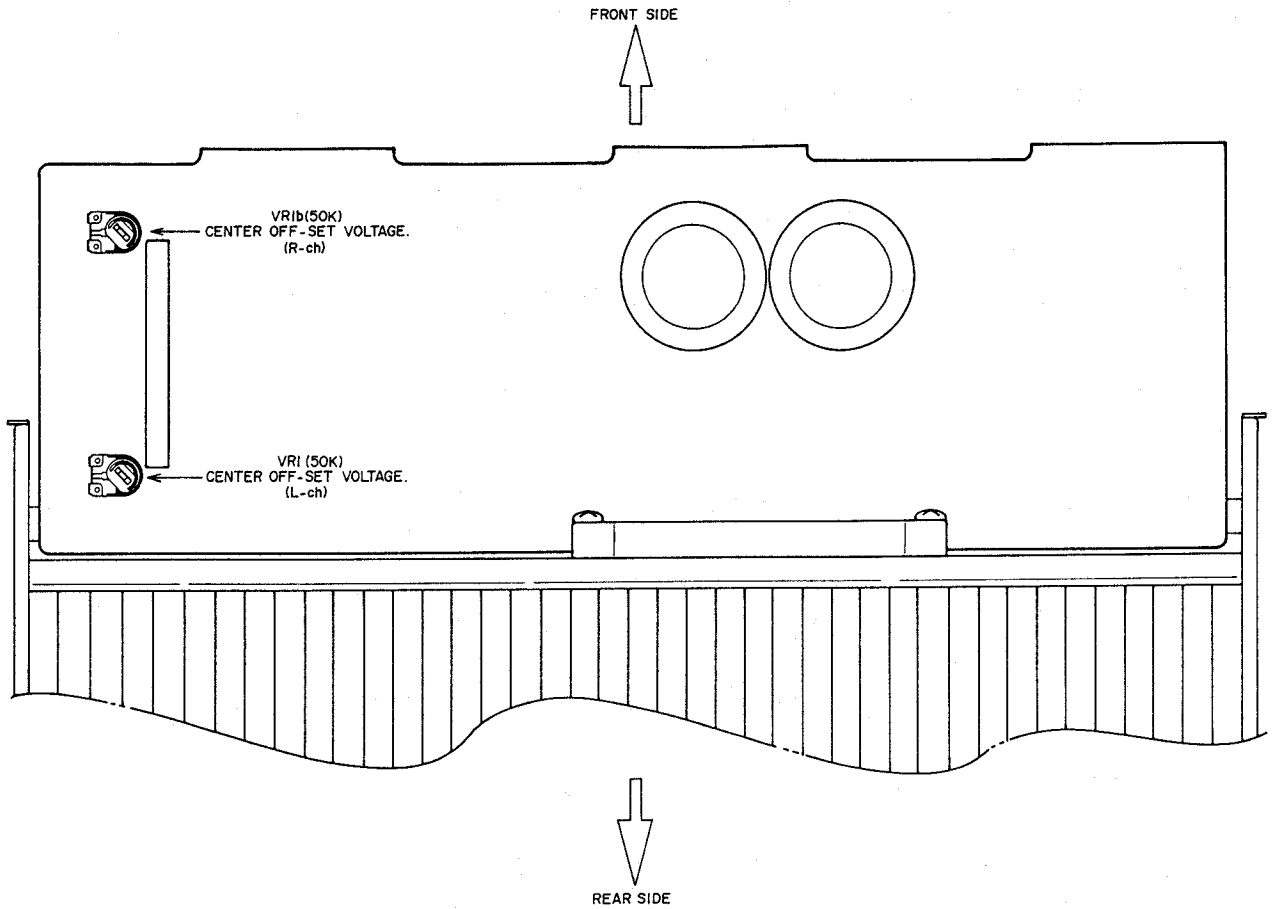


Fig. 8 Main Amp P.C Board (Parts Side View)

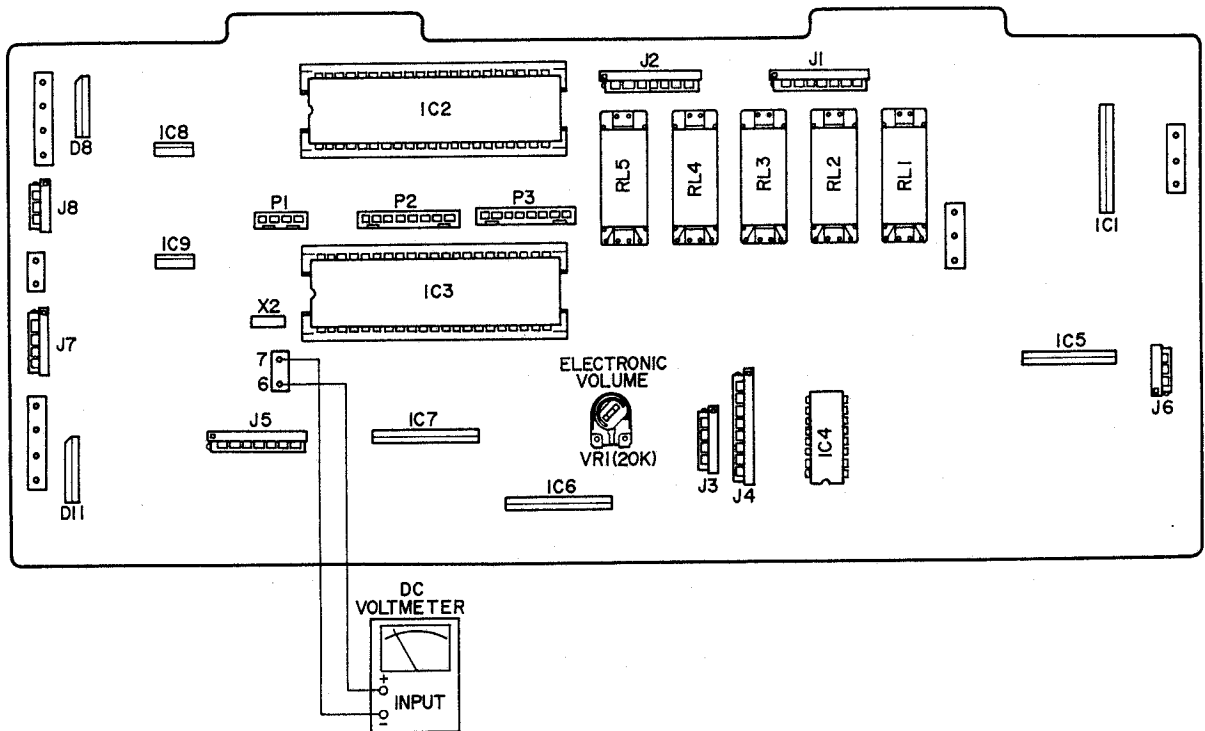


Fig. 9 Decoder P.C Board (Parts Side View)

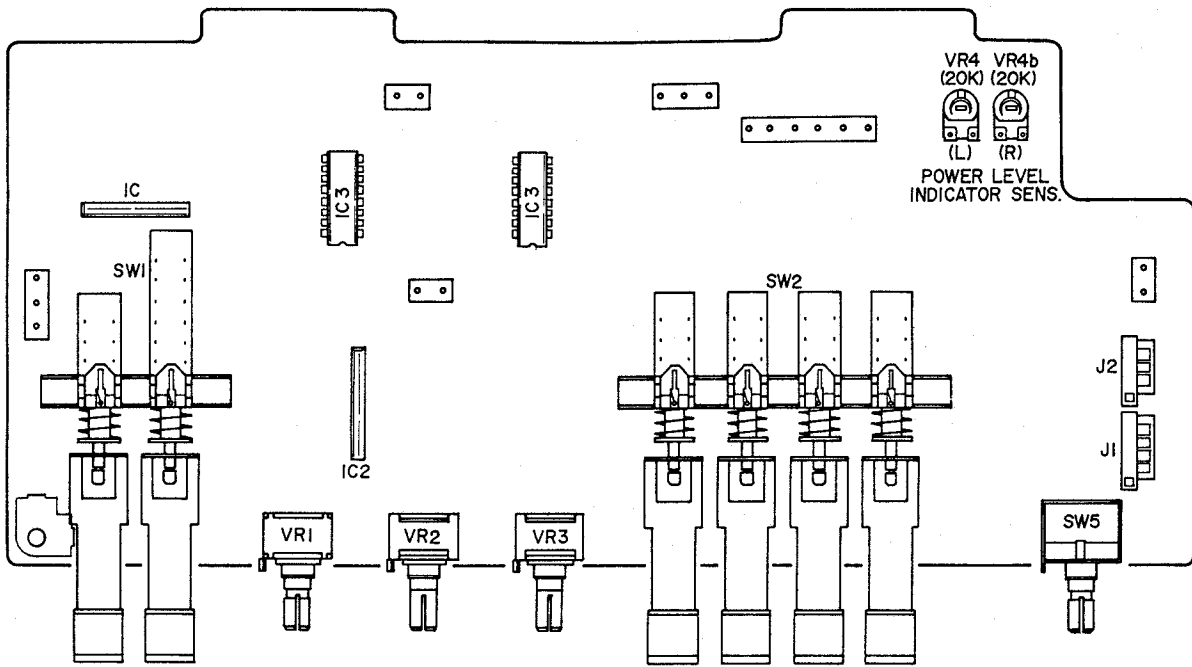


Fig. 10 Pre Amp P.C Board (Parts Side View)

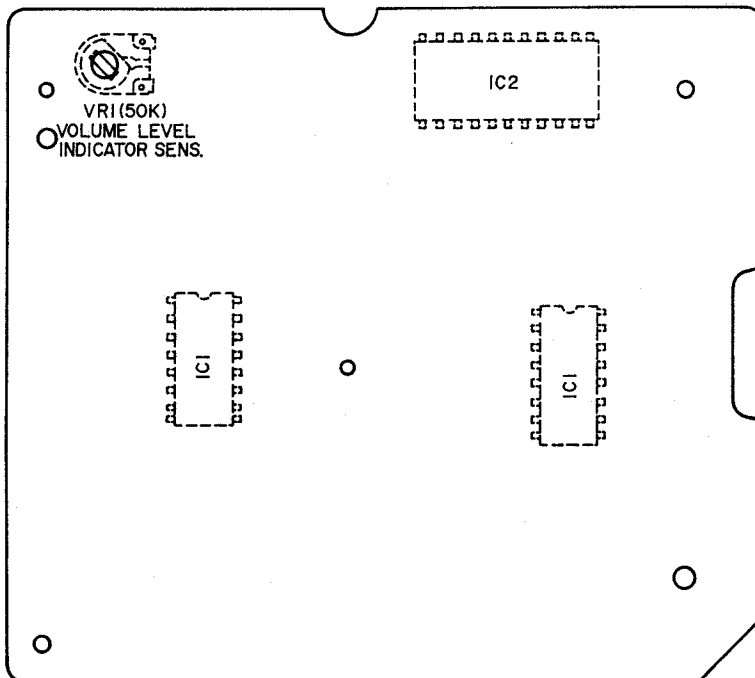


Fig. 11 LED P.C Board (Pattern Side View)

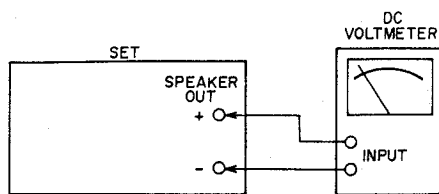


Fig. 12 Instrument Connections for Off-set Voltage Adjustment

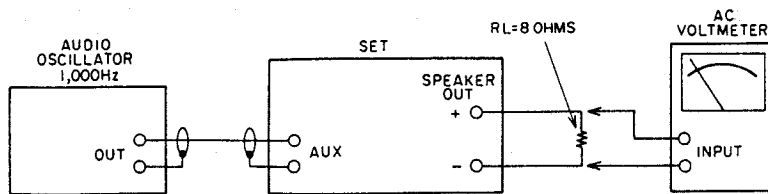


Fig. 13 Instrument Connections for Power Meter Sensitivity Adjustment

1. CENTER OFF-SET VOLTAGE

ADJUSTMENT (Refer to Figs. 8, 12)

Connect the Digital Voltmeter or DC Voltmeter to the SPEAKER terminals. Adjust the VR1 (L-ch), VR1b (R-ch) on the Main Amp P.C Board, so that the voltmeter reads 0 ± 10 mV.

2. ELECTRONIC VOLUME ADJUSTMENT

(Refer to Fig. 9)

Connect a DC Voltmeter to Pins (6) and (7).

Depress the VOLUME UP button to obtain the maximum electronic volume. Then, adjust VR1 (20 K) so that the reading on the DC Voltmeter is 0 ± 10 mV.

3. POWER LEVEL INDICATOR SENSITIVITY ADJUSTMENT

(Refer to Figs. 10, 13)

Set the Meter Range switch to "X1", and connect the load resistors ($RL = 8$ ohms) to Speaker terminals. Then apply a 1 kHz signal to the AUX input terminals, adjusting the input level so as to obtain the rated output vol-

age level (20 V) at Speaker Out. Adjust VR4 (Left Channel) and VR4b (Right Channel) on the Pre Amp P.C Board so that the 8th LED (50 Watts) in the Power Level Meter lights up. Decrease the input signal level by 10 dB and set the meter range switch at "X0.1". Then, verify that the 8th LED (50 Watts) on the power level meter is activated.

4. VOLUME LEVEL INDICATOR SENSITIVITY ADJUSTMENT

(Refer to Figs. 9, 11)

Connect an oscilloscope to Pins (6) and (7) on the Decoder P.C Board. (DC Range, V Rate: 0.1 V). Depress the VOLUME UP button to obtain the maximum electronic volume (the 32nd step). Then, depress the VOLUME DOWN button to set the electronic volume at the 30th step, and adjust VR1 (50 K) on the LED P.C Board so that the 8th LED is activated.

After this, depress the VOLUME UP button to set the electronic volume to the 31st step, and verify that the 9th LED is activated.

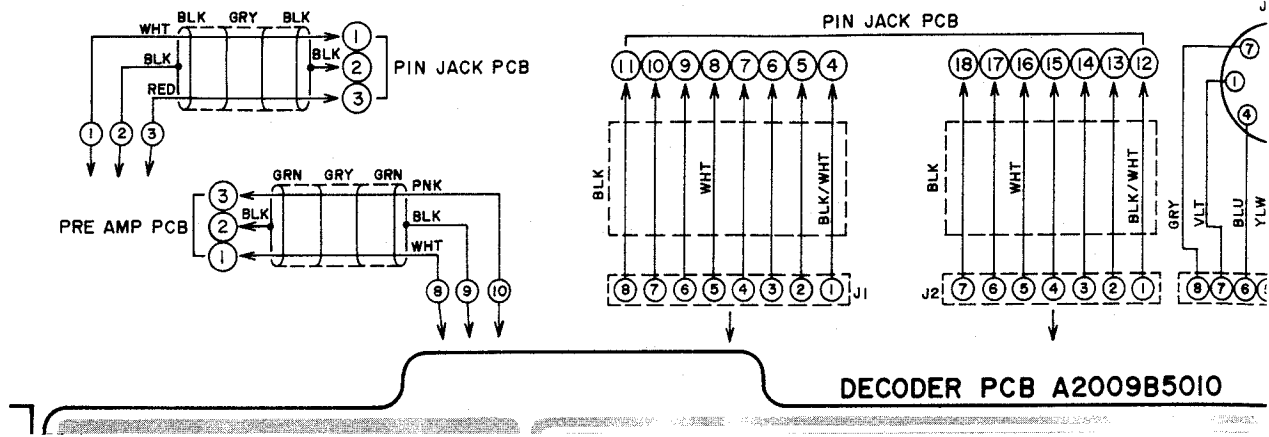
IX. CLASSIFICATION OF VARIOUS P.C BOARDS

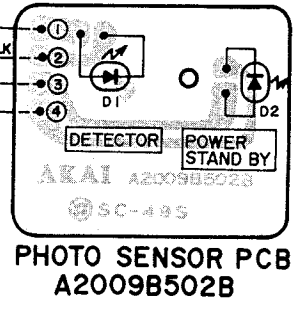
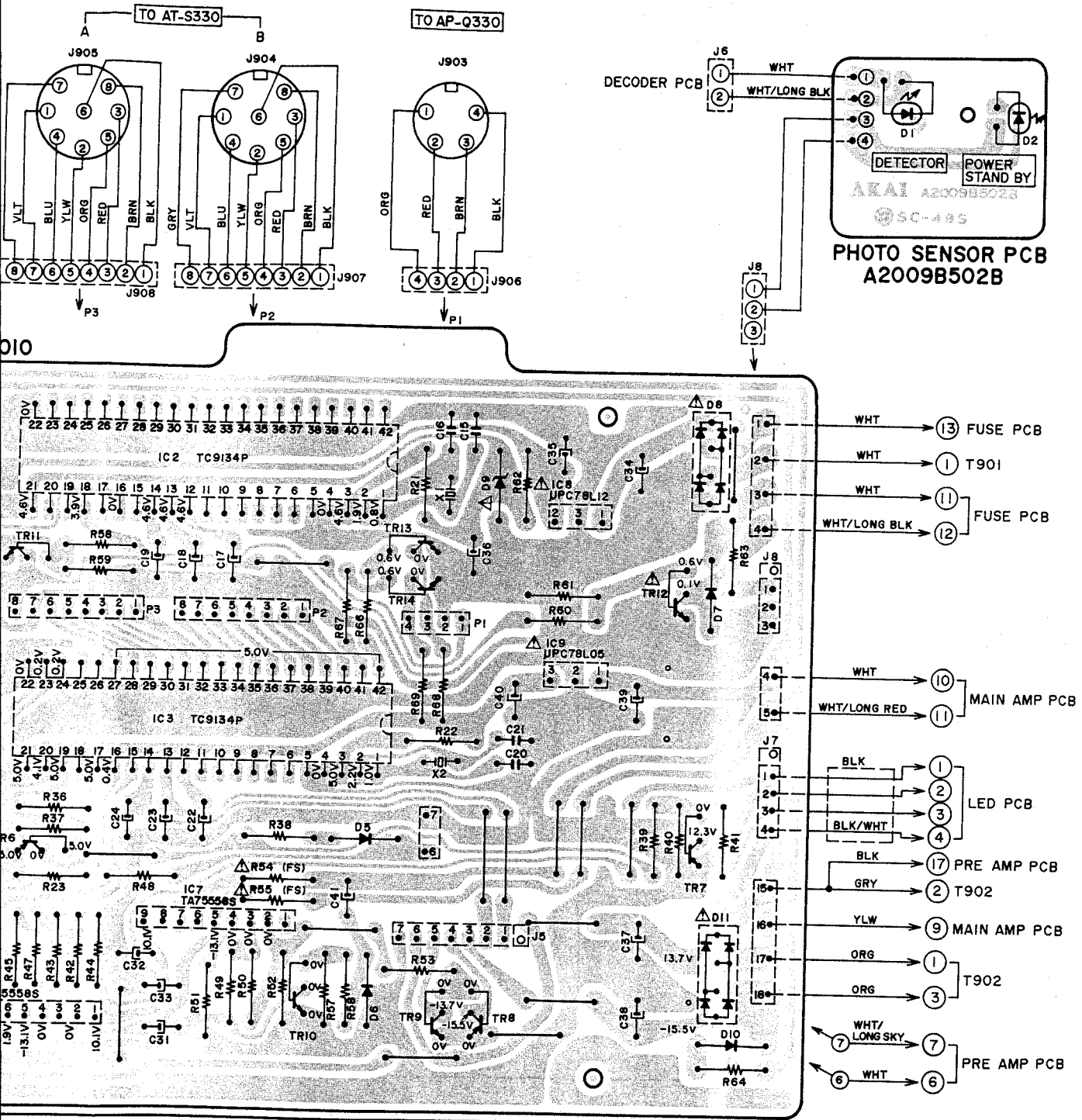
1. P.C BOARD TITLES AND IDENTIFICATION NUMBERS

P.C BOARD TITLE	P.C BOARD NUMBER
Decoder P.C Board	A2009B5010
Pre Amp P.C Board	A2009B502A
Photo Sensor P.C Board	A2009B502B
LED P.C Board	A2009B5030
Lamp P.C Board	A2009B5040
Fuse P.C Board (U/T)	A2009B5050
Fuse P.C Board (CSA, AAL)	A2009B5060
Fuse P.C Board (CEE, UK, SAA, VDE)	A2009B5070
Pin Jack P.C Board	A2009C5090
Main Amp P.C Board (2ED)	AMUZ-401
Head Phone P.C Board	AMUZ-405

2. COMPOSITION OF VARIOUS P.C BOARDS

1. Decoder P.C Board (A2009B5010) and Photo Sensor P.C Board (A2009B502B)

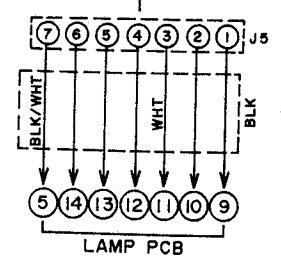
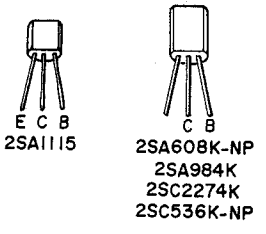




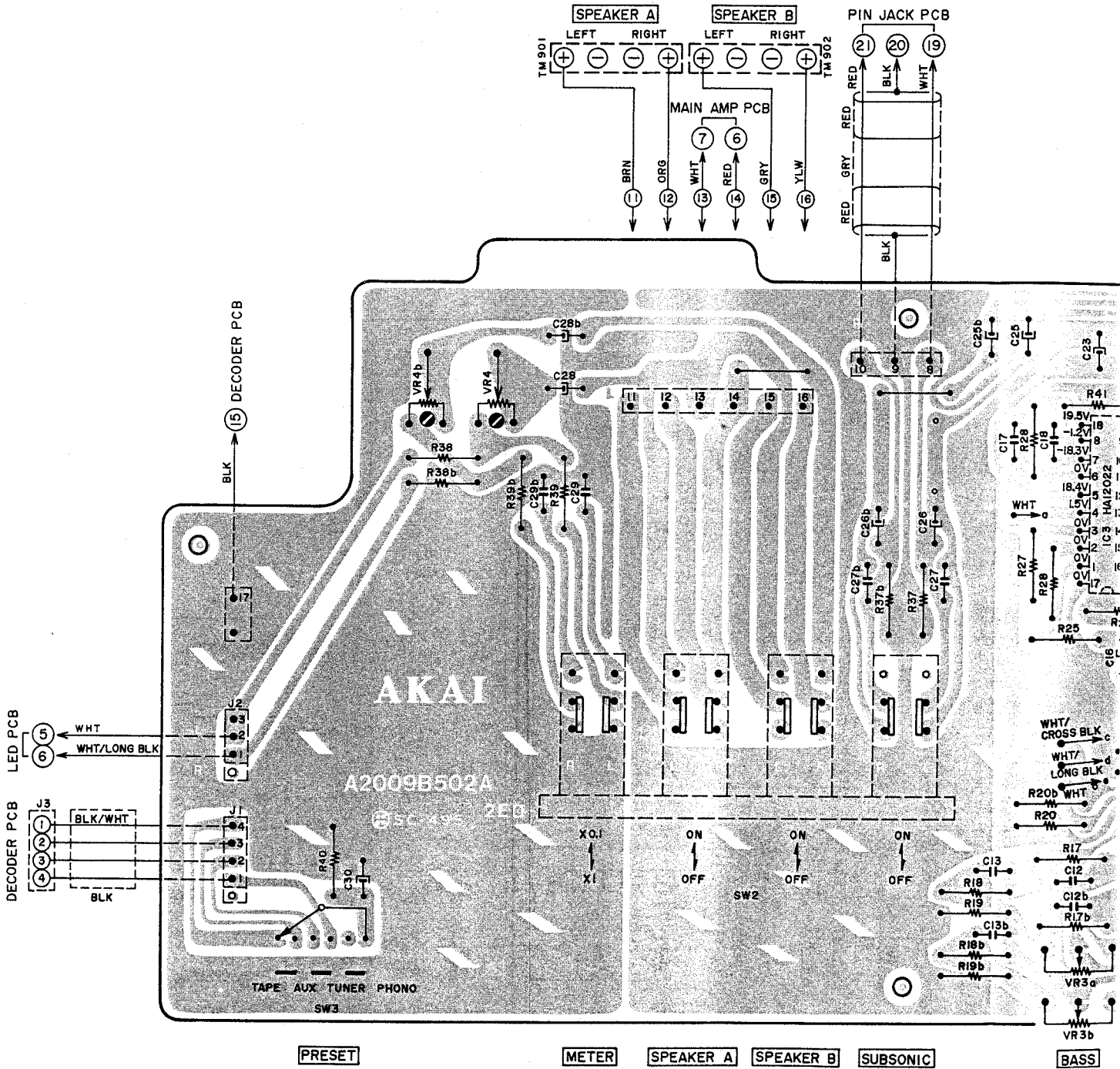
LOCATION OF IC & TR

IC 1	A-1	TR 1 to 4	B-2
IC 2	C-1	TR 5	A-2
IC 3	C-2	TR 6	C-2
IC 4	B-2	TR 7 to 9	D-2
IC 5	A-2	TR 10	C-2
IC 6	C-2	TR 11	C-1
IC 7	C-2	TR 12 to 14	D-1
IC 8	D-1		
IC 9	D-1		

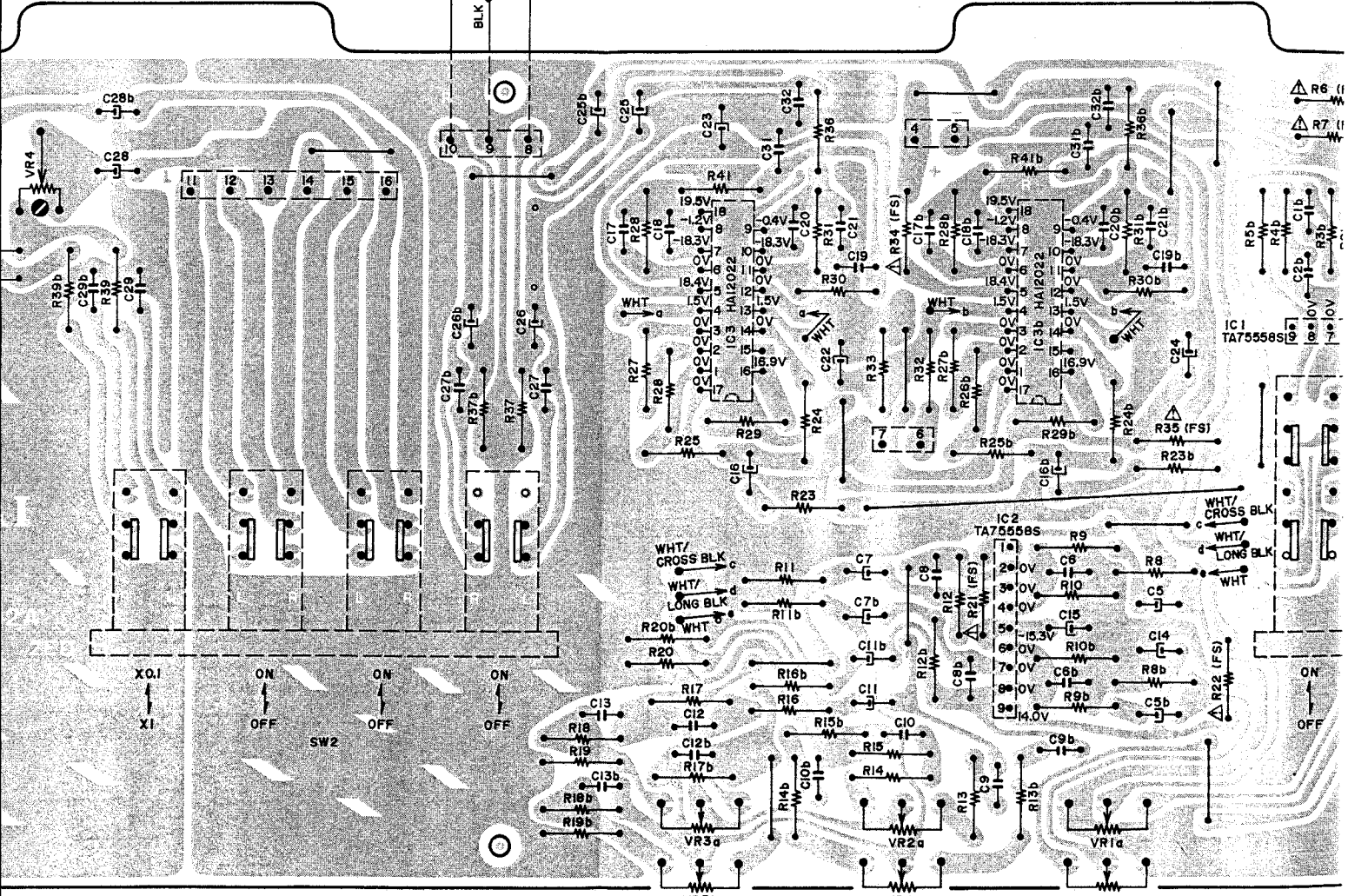
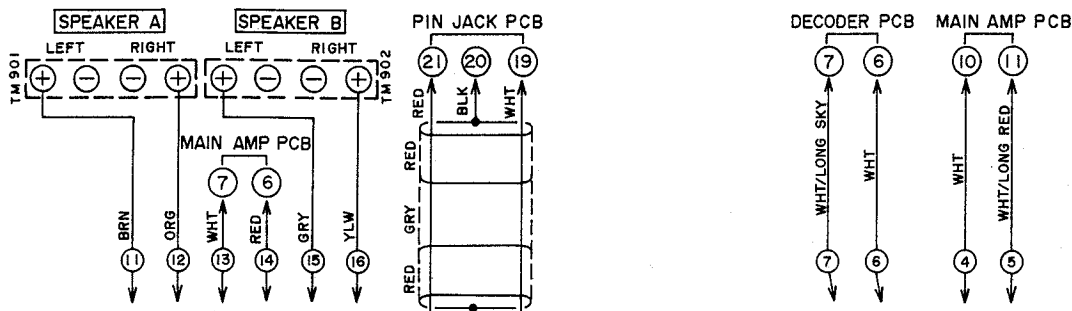
- TR1 to 4 2SA1115(E,F)
- TR5,7,10,11,13,14 2SC536K-NP(E,F)
- TR6 2SA608K-NP(E,F)
- TR8 2SA984K(E,F)
- TR9,12 2SC2274(E,F)



2. Pre Amp P.C Board (A2009B502A)



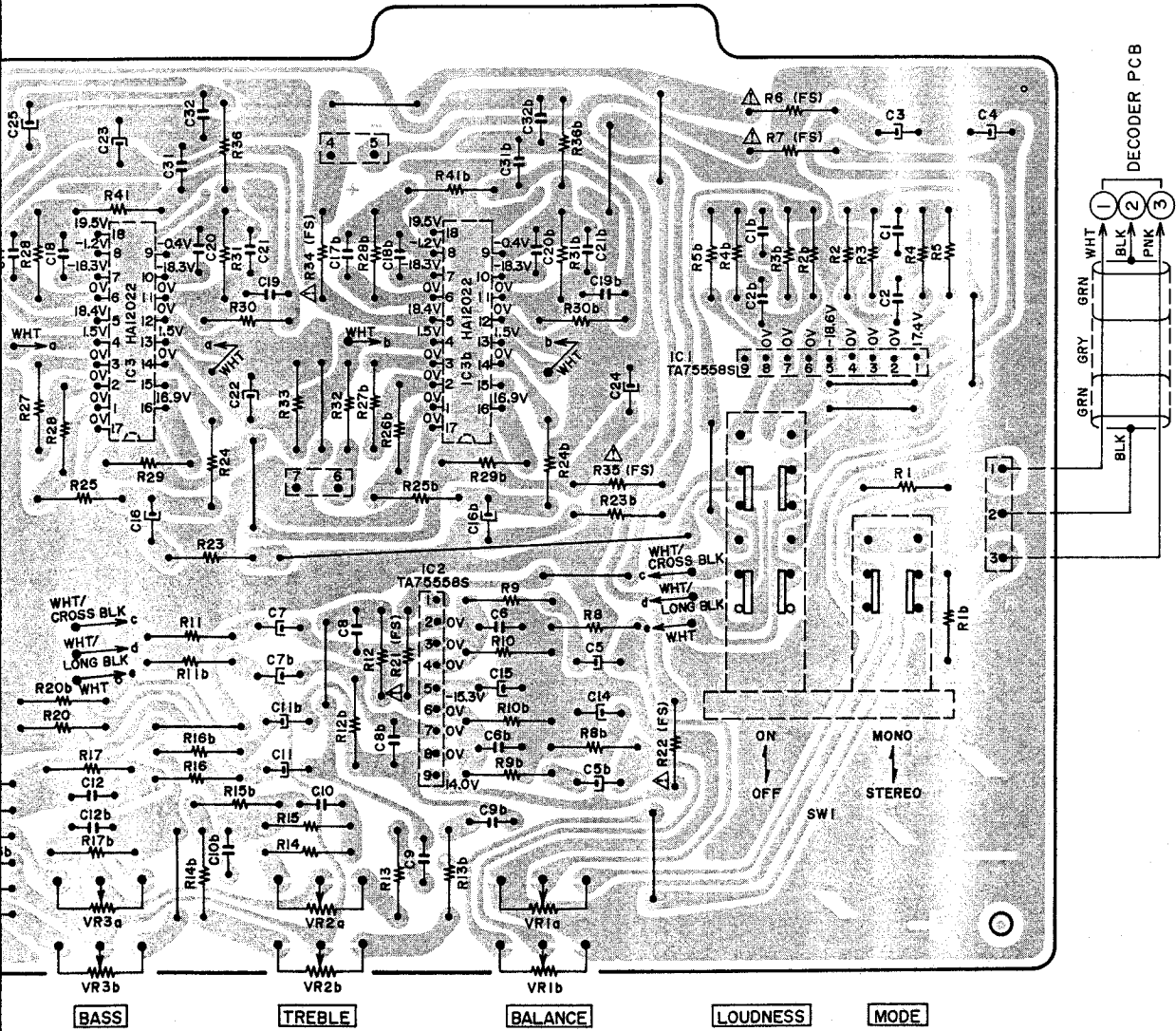
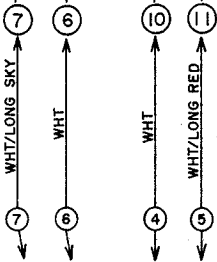
For Service Manuals
MAURITRON SERVICES
 8 Cherry Tree Road, Chinnor
 Oxfordshire, OX9 4QY.
 Tel (01844) 351894
 Fax (01844) 352554
 email:- mauritron@dial.pipex.com



- METER
- SPEAKER A
- SPEAKER B
- SUBSONIC
- BASS
- TREBLE
- BALANCE
- LOUDNESS

WARNING: Δ INDICATES SAFETY
REPLACE SAFETY
RECOMMENDED P/P
AVERTISSEMENT: Δ IL INDIO
MAINTENIR LE DE
COMPOSANTS DON
QUE PAR DES PIE

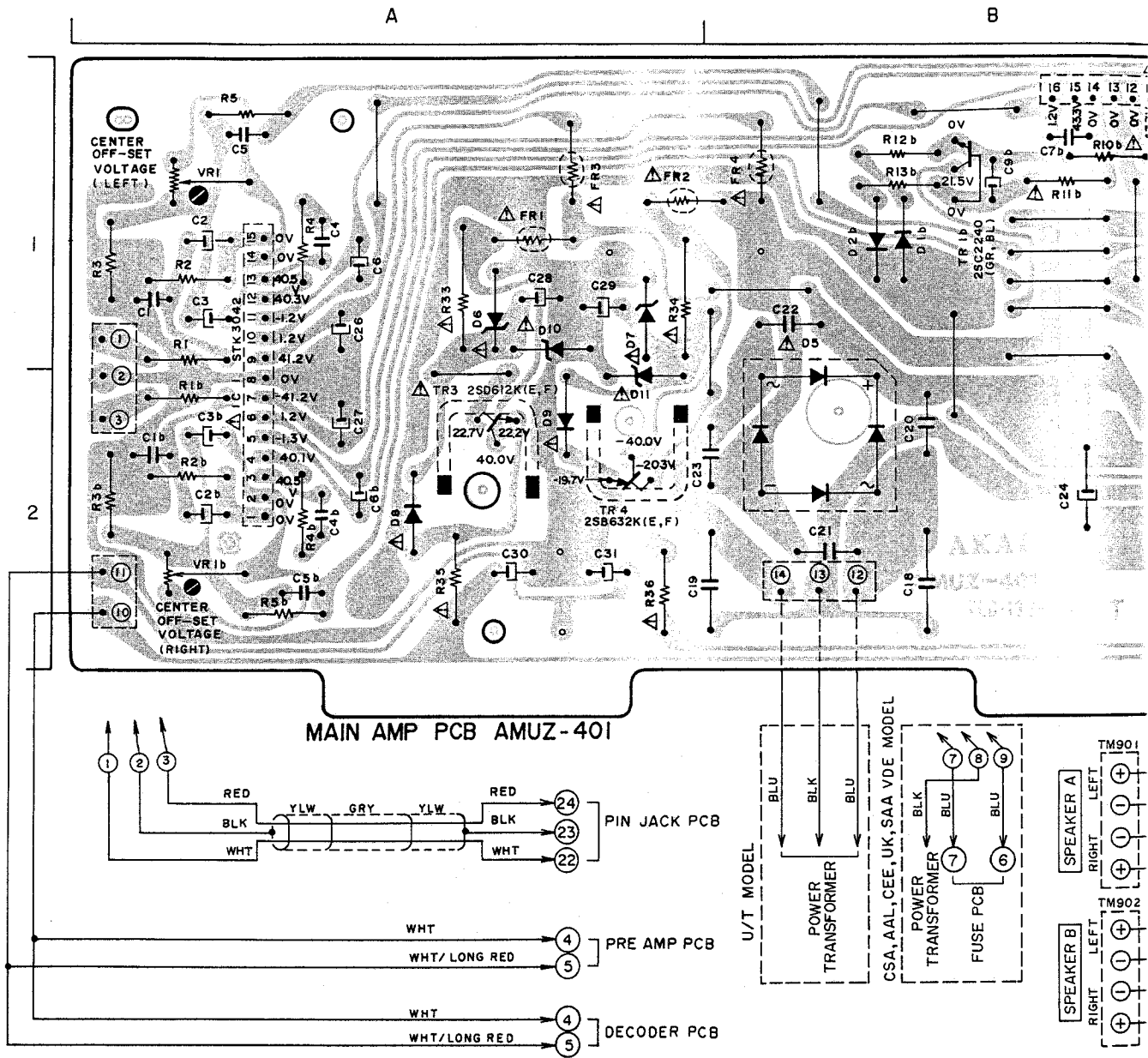
DECODER PCB MAIN AMP PCB



WARNING: Δ INDICATES SAFETY CRITICAL COMPONENTS. FOR CONTINUED SAFETY, REPLACE SAFETY CRITICAL COMPONENTS ONLY WITH MANUFACTURER'S RECOMMENDED PARTS

AVERTISSEMENT: Δ IL INDIQUÉ LES COMPOSANTS CRITIQUES DE SÛRETÉ. POUR MAINTENIR LE DEGRÉ DE SÛRETÉ DE L'APPAREIL, NE REMPLACER LES COMPOSANTS DONT LE FONCTIONNEMENT EST CRITIQUE POUR LA SÛRETÉ QUE PAR DES PIÈCES RECOMMANDÉES PAR LE FABRICANT

3. Main Amp P.C Board (AMUZ-401) and Head Phone P.C Board (AMUZ-405)

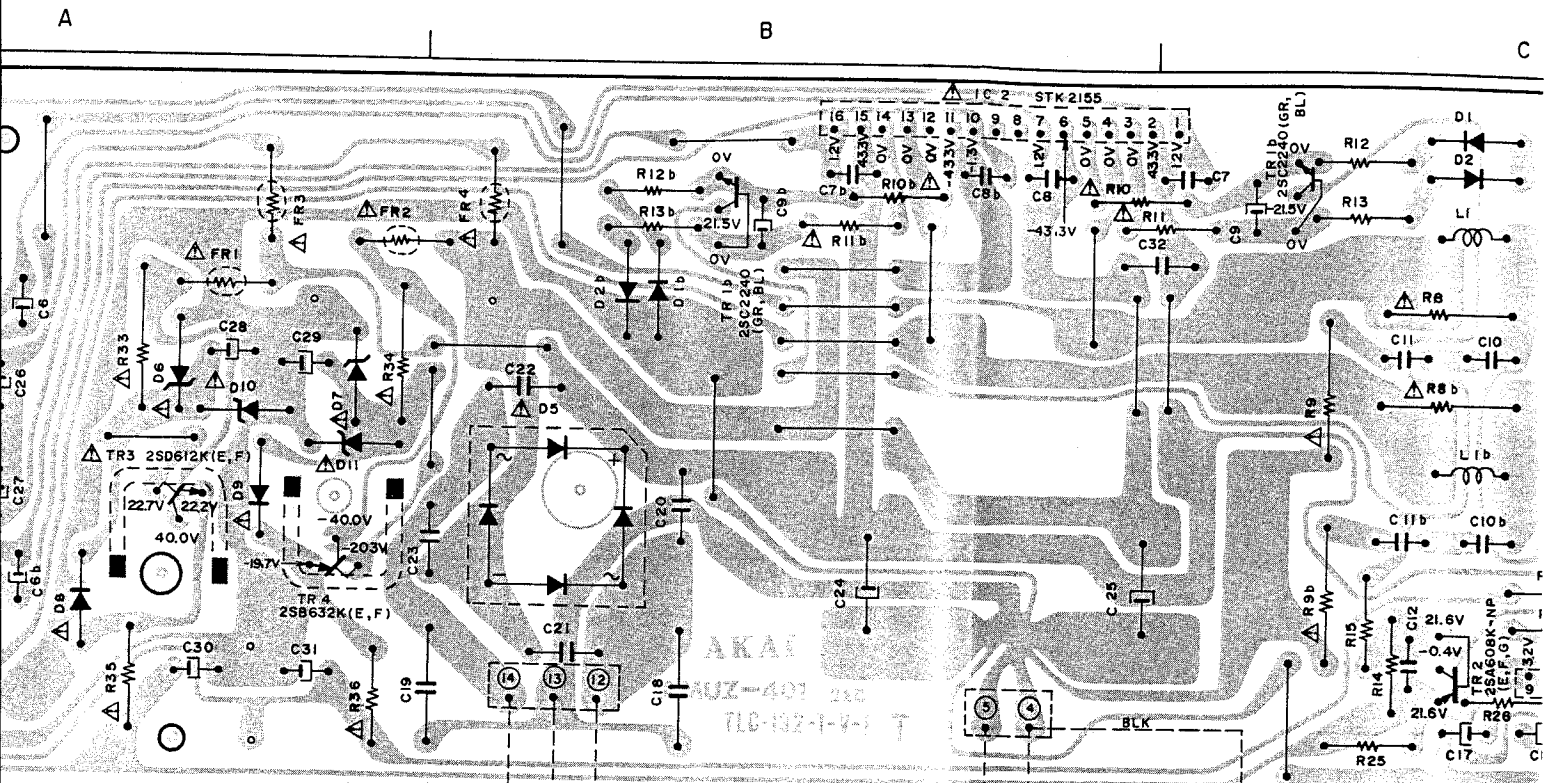


WARNING: Δ INDICATES SAFETY CRITICAL COMPONENTS. FOR CONTINUED SAFETY, REPLACE SAFETY CRITICAL COMPONENTS ONLY WITH MANUFACTURER'S RECOMMENDED PARTS

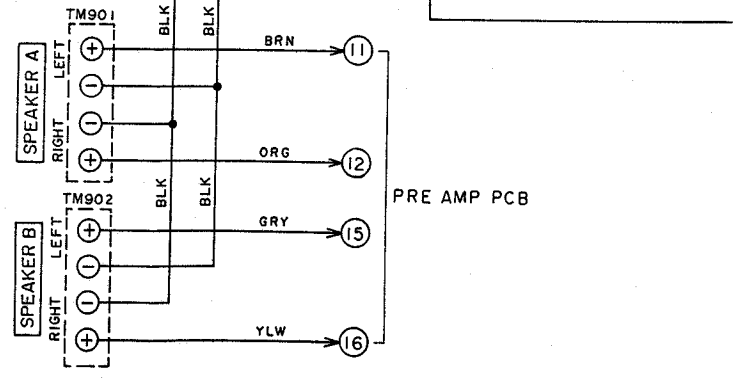
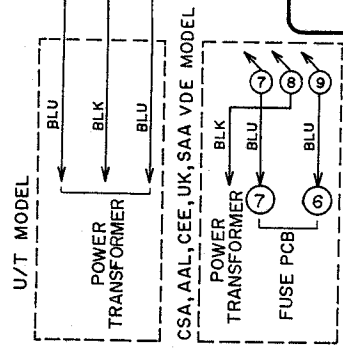
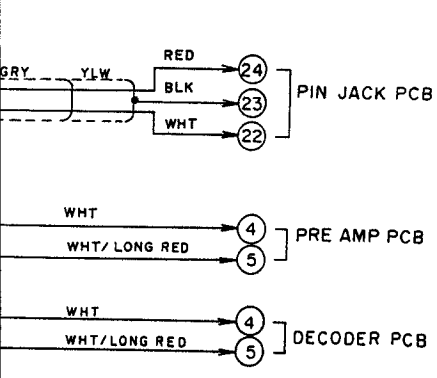
AVERTISSEMENT: Δ IL INDIQU LES COMPOSANTS CRITIQUES DE SÛRETÉ. POUR MAINTENIR LE DEGRÉ DE SÛRETÉ DE L'APPAREIL NE REMPLACER LES COMPOSANTS DONT LE FONCTIONNEMENT EST CRITIQUE POUR LA SÛRETÉ QUE PAR DES PIÈCES RECOMMANDÉES PAR LE FABRICANT

LOCATION
 IC 1 A-1,2
 IC 2 B-1
 IC 3 C-2

01) and Head Phone P.C Board (AMUZ-405)



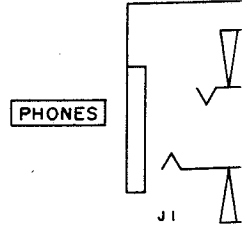
AMP PCB AMUZ-401

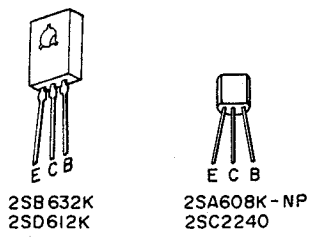
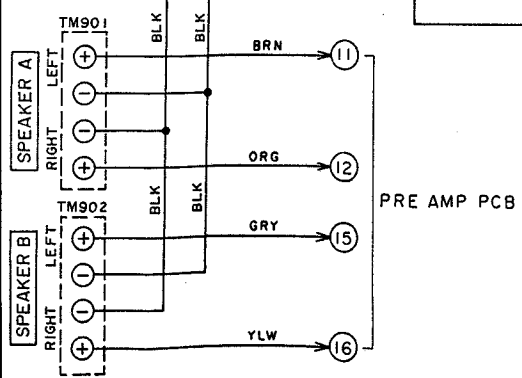
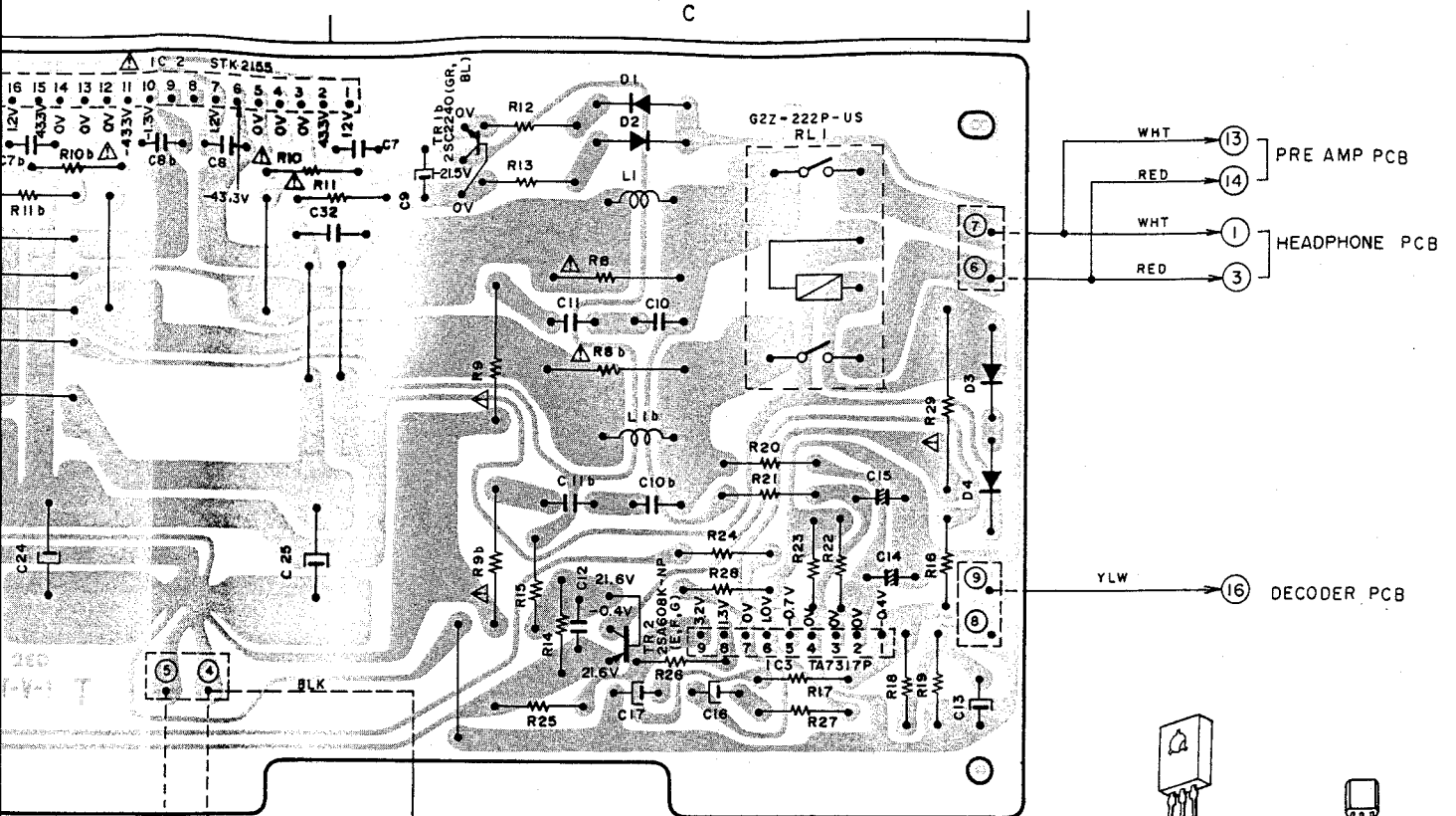


CONTINUED SAFETY,
WITH MANUFACTURER'S
INSTRUCTIONS.
NE REMPLACER LES
COMPOSANTS
QUE POUR LA SECURITE
DU CIRCUIT.

LOCATION OF IC & TR

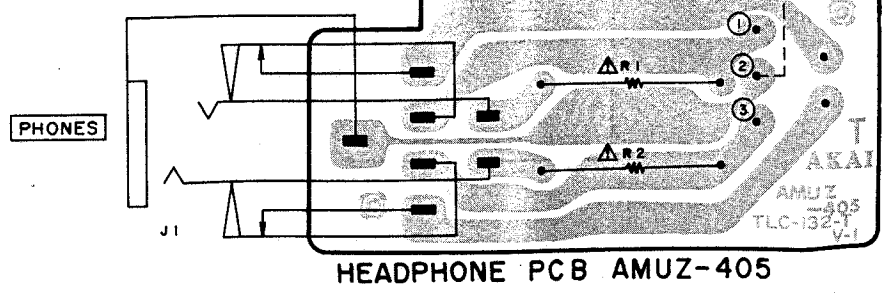
IC 1	A-1,2	TR 1	C-1
IC 2	B-1	TR 1b	B-1
IC 3	C-2	TR 2	C-2
		TR 3,4	A-2





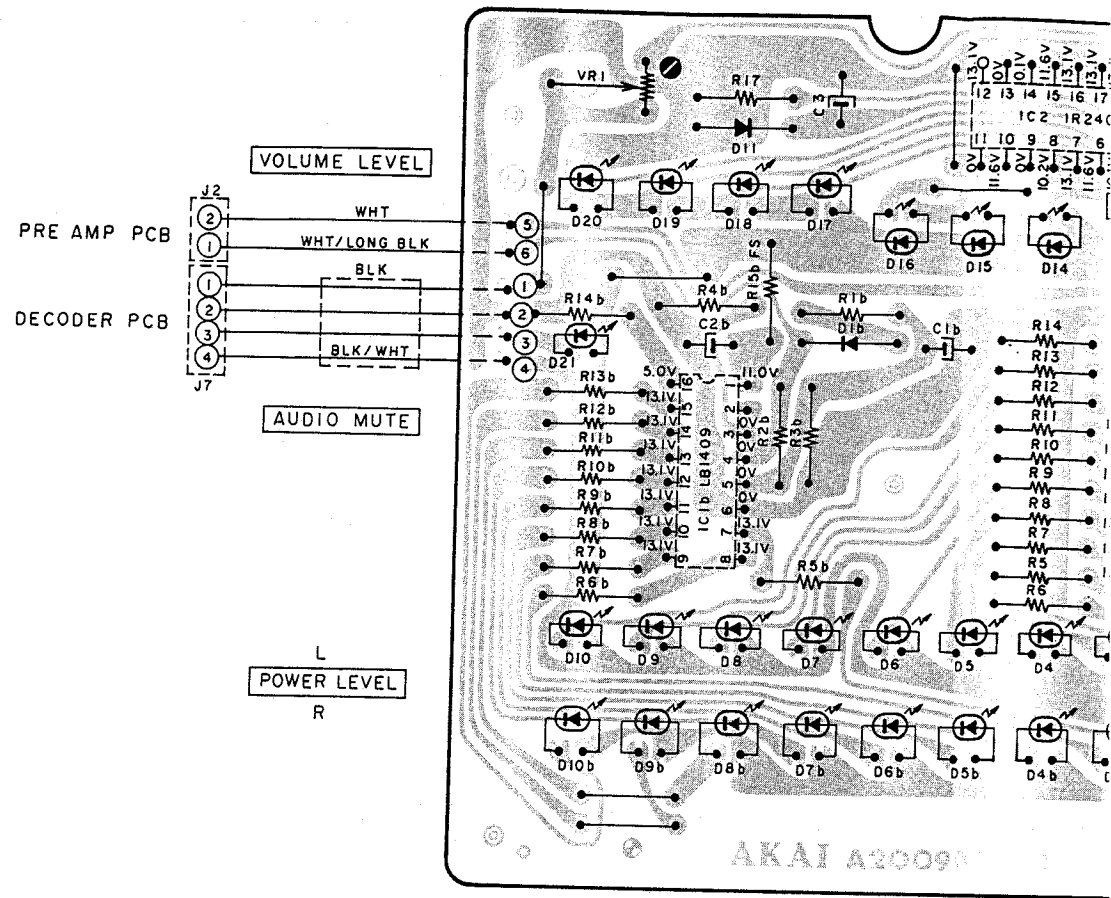
LOCATION OF IC & TR

IC1 A-1,2	TR1 C-1
IC2 B-1	TR1b B-1
IC3 C-2	TR2 C-2
	TR3,4 A-2

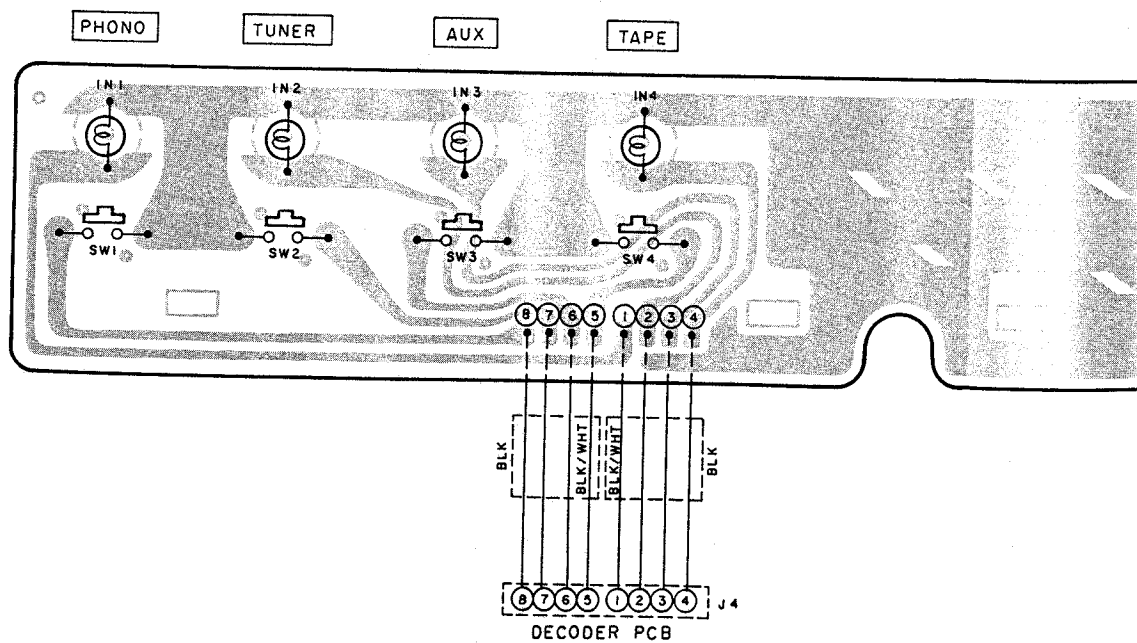


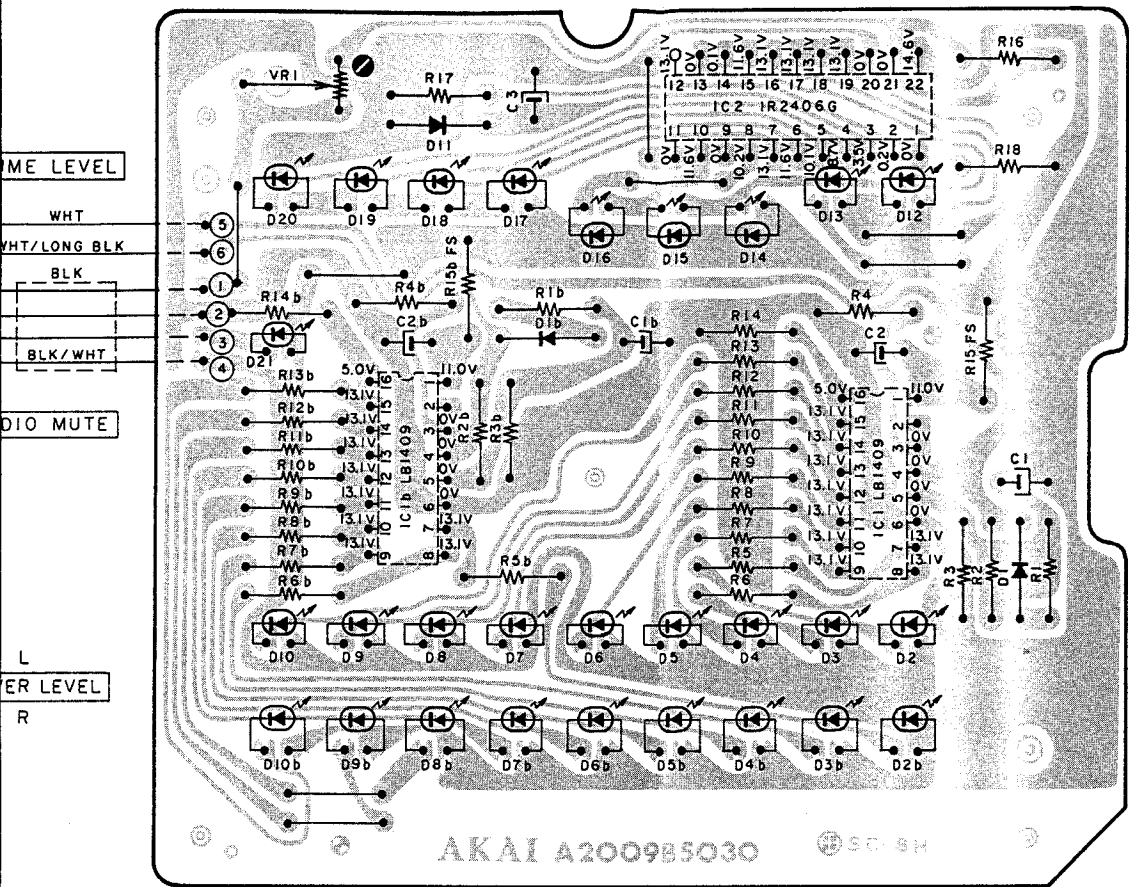
HEADPHONE PCB AMUZ-405

4. LED P.C Board (A2009B5030)

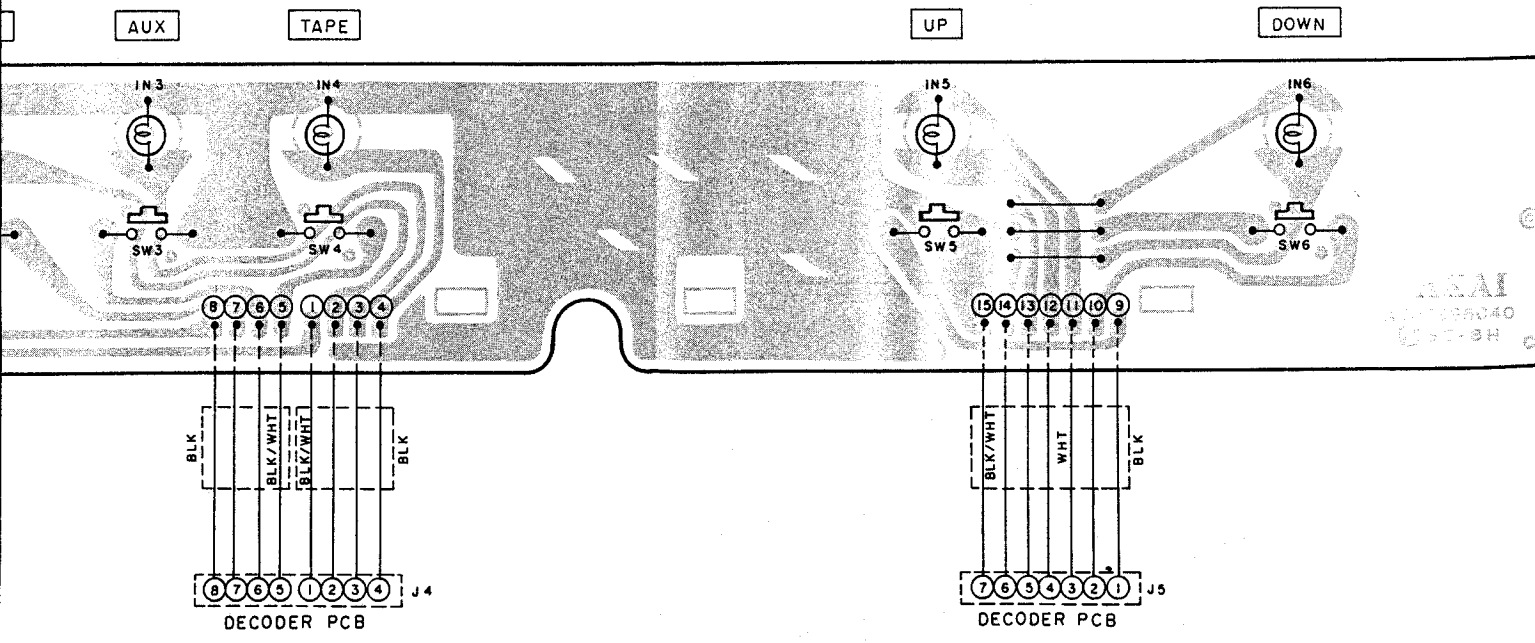


5. Lamp P.C Board (A2009B5040)



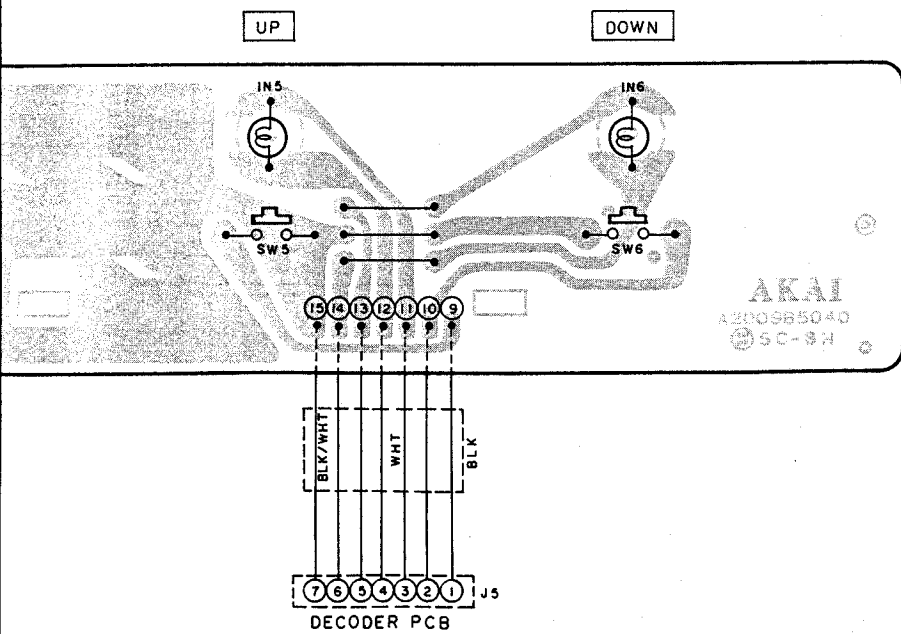
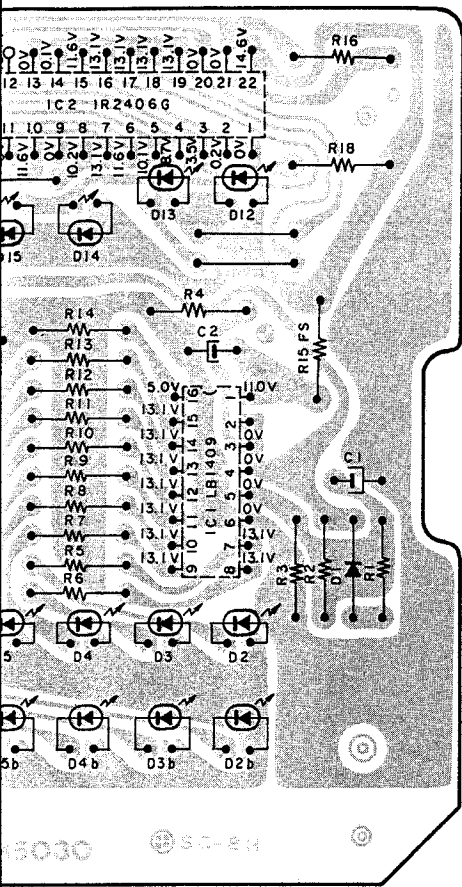


ME LEVEL
 WHT
 WHT/LONG BLK
 BLK
 BLK/WHT
 DIO MUTE
 L
 ER LEVEL
 R

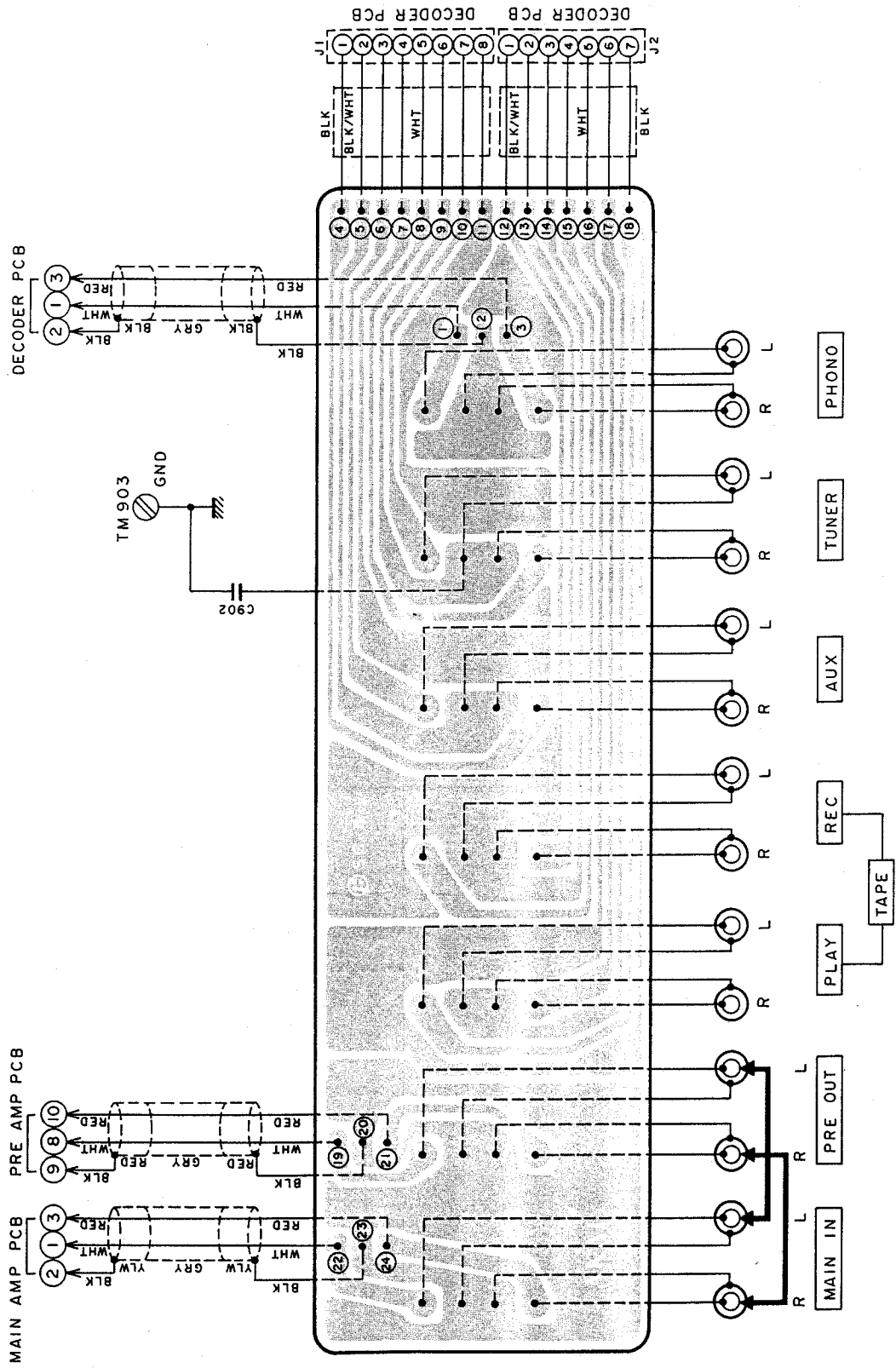


BLK
 BLK/WHT
 BLK/WHT
 BLK
 J4
 8 7 6 5 1 2 3 4
 DECODER PCB

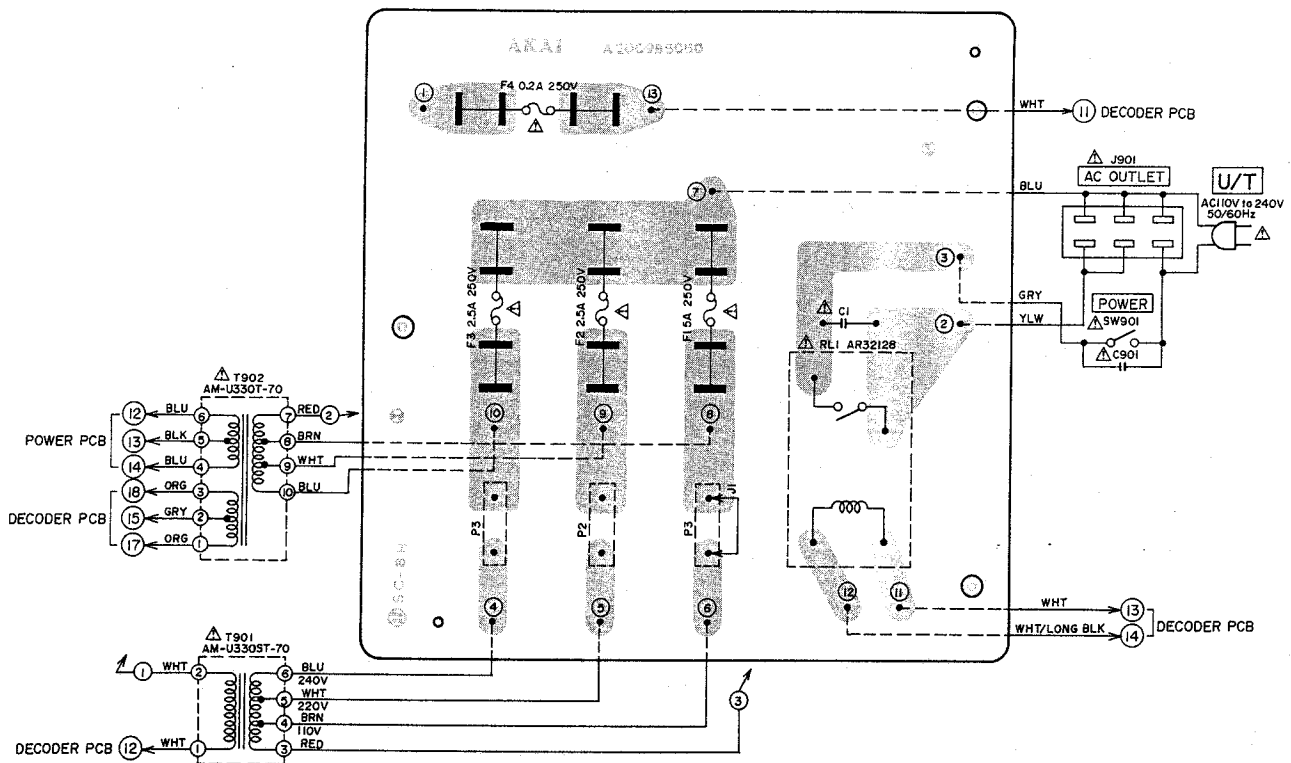
BLK/WHT
 WHT
 BLK
 J5
 15 14 13 12 11 10 9
 DECODER PCB



6. Pin Jack P.C Board (A2009C5090)



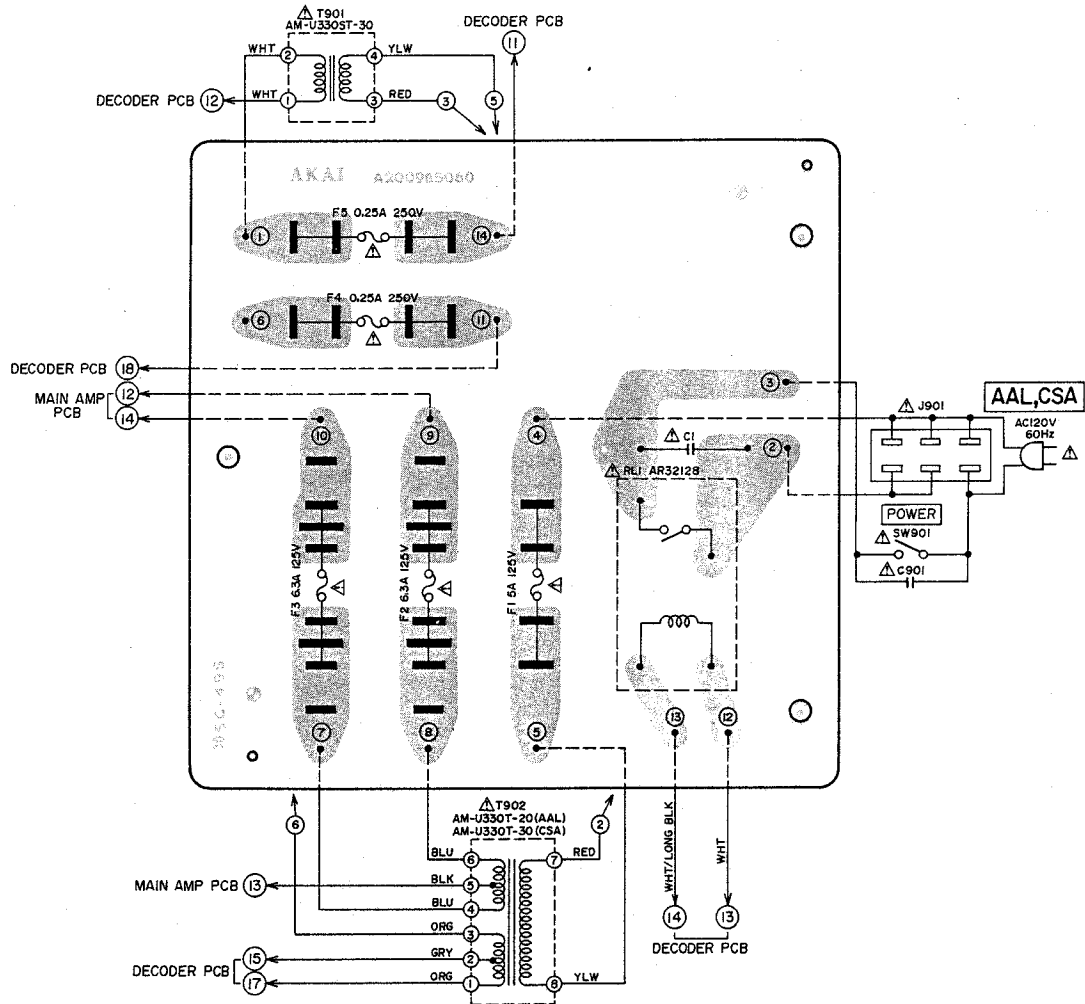
7. Fuse P.C Board (A2009B5050) (U/T)



WARNING: Δ INDICATES SAFETY CRITICAL COMPONENTS. FOR CONTINUED SAFETY, REPLACE SAFETY CRITICAL COMPONENTS ONLY WITH MANUFACTURER'S RECOMMENDED PARTS
 AVERTISSEMENT: Δ IL INDIQUE LES COMPOSANTS CRITIQUES DE SÛRETÉ. POUR MAINTENIR LE DEGRÉ DE SÛRETÉ DE L'APPAREIL NE REMPLACER LES COMPOSANTS DONT LE FONCTIONNEMENT EST CRITIQUE POUR LA SÛRETÉ QUE PAR DES PIÈCES RECOMMANDÉES PAR LE FABRICANT

For Service Manuals
MAURITRON SERVICES
 8 Cherry Tree Road, Chinnor
 Oxfordshire, OX9 4QY.
 Tel (01844) 351694
 Fax (01844) 352554
 email: mauritron@dial.pipex.com

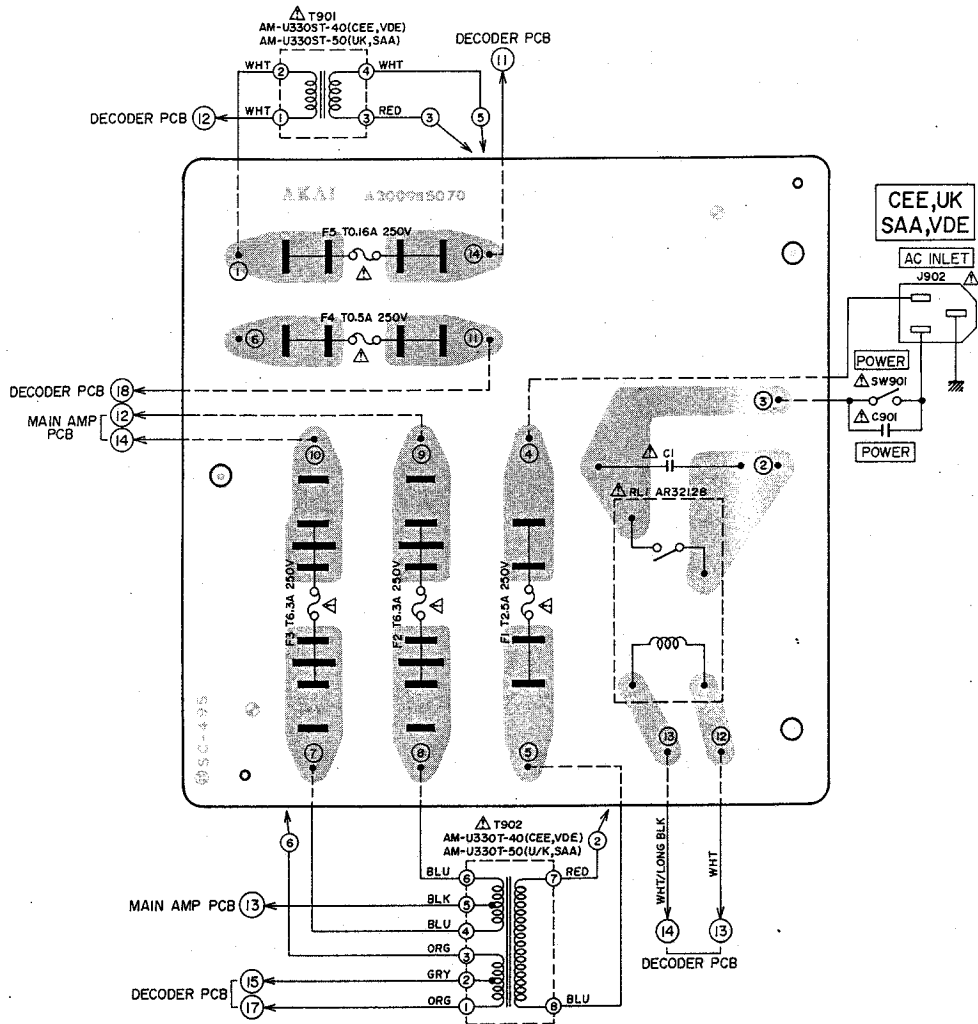
8. Fuse P.C Board (A2009B5060) (CSA, AAL)



WARNING: Δ INDICATES SAFETY CRITICAL COMPONENTS. FOR CONTINUED SAFETY, REPLACE SAFETY CRITICAL COMPONENTS ONLY WITH MANUFACTURER'S RECOMMENDED PARTS

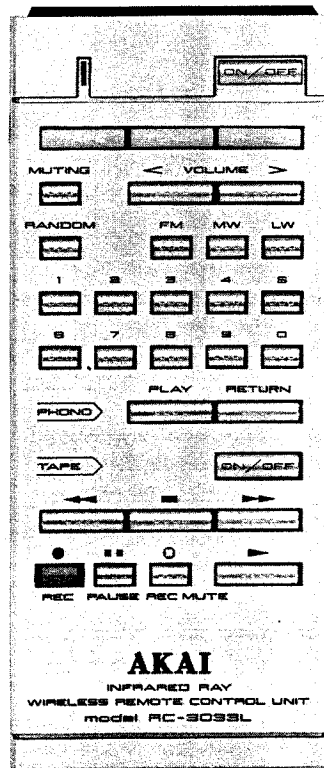
AVERTISSEMENT: Δ IL INDIQUE LES COMPOSANTS CRITIQUES DE SÛRETÉ. POUR MAINTENIR LE DEGRÉ DE SÛRETÉ DE L'APPAREIL NE REMPLACER LES COMPOSANTS DONT LE FONCTIONNEMENT EST CRITIQUE POUR LA SÛRETÉ QUE PAR DES PIÈCES RECOMMANDÉES PAR LE FABRICANT

9. Fuse P.C Board (A2009B5070) (CEE, UK, SAA, VDE)



WARNING: Δ INDICATES SAFETY CRITICAL COMPONENTS. FOR CONTINUED SAFETY, REPLACE SAFETY CRITICAL COMPONENTS ONLY WITH MANUFACTURER'S RECOMMENDED PARTS

AVERTISSEMENT: Δ IL INDIQUE LES COMPOSANTS CRITIQUES DE SÛRETÉ. POUR MAINTENIR LE DEGRÉ DE SÛRETÉ DE L'APPAREIL, NE REMPLACER LES COMPOSANTS DONT LE FONCTIONNEMENT EST CRITIQUE POUR LA SÛRETÉ QUE PAR DES PIÈCES RECOMMANDÉES PAR LE FABRICANT



SECTION 2

REMOTE CONTROL UNIT

MODEL RC-3033/L

TABLE OF CONTENTS

I. SPECIFICATIONS	22
II. CONTROLS	22
III. COMPOSITION OF VARIOUS P.C BOARDS.....	23

For basic adjustments, measuring methods, and operating principles, refer to GENERAL TECHNICAL MANUAL.

I. RC-3033/L SPECIFICATIONS

SYSTEM	Infrared Ray PCM System
CARRIER FREQUENCY	38 kHz
AREA OF OPERATION	8m on axis (at DC 3V)
DIRECTIVITY	$\pm 30^\circ$ (at 5m)
POWER REQUIREMENT	DC 3V (two UM, AM, AA-3 or R6 size batteries)
DIMENSIONS	70 (W) \times 20 (H) \times 162 (D) mm (6.7 \times 0.8 \times 6.4 inches)
WEIGHT	160g (without batteries) (5.6 oz.)

II. CONTROLS

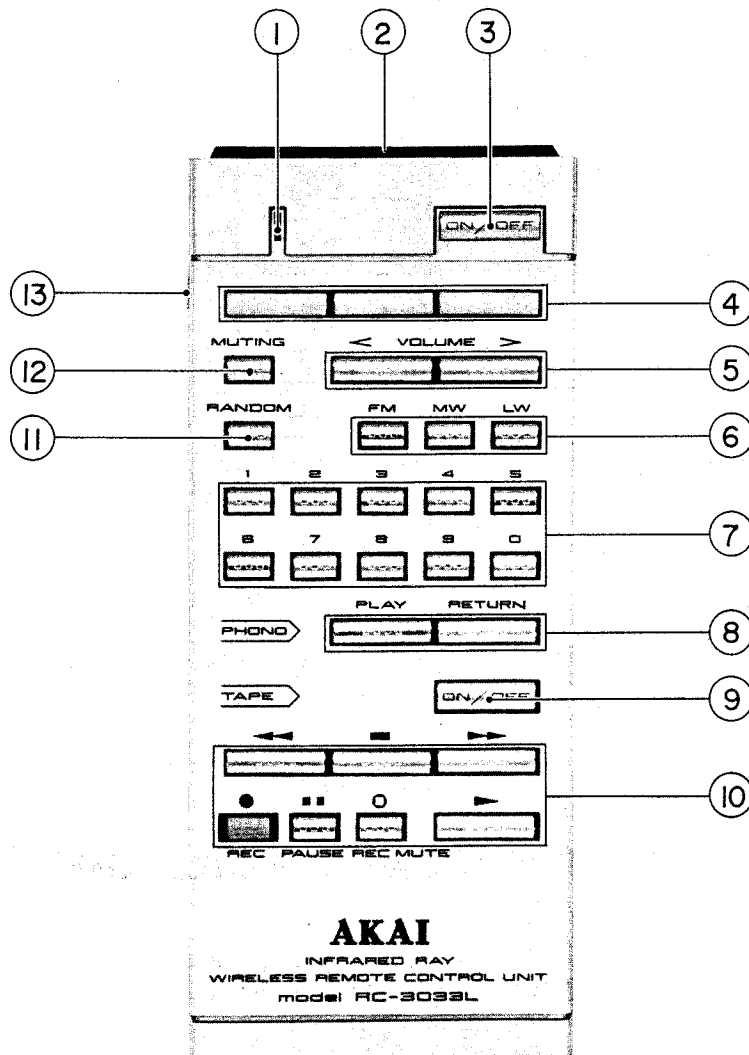


Fig. 1 Controls

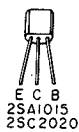
- | | |
|-----------------------------|---------------------------|
| 1. REMOTE CONTROL INDICATOR | 8. PHONO BUTTONS |
| 2. TRANSMITTING WINDOW | 9. TAPE ON/OFF BUTTON |
| 3. ON/OFF BUTTON | 10. TAPE OPERATING BUTTON |
| 4. INPUT SELECTOR BUTTONS | 11. RANDOM BUTTON |
| 5. VOLUME BUTTONS | 12. MUTING BUTTON |
| 6. BAND SELECTOR BUTTONS | 13. SAFETY LOCK BUTTON |
| 7. PRESET STATION KEYS | |

III. COMPOSITION OF VARIOUS P.C BOARDS

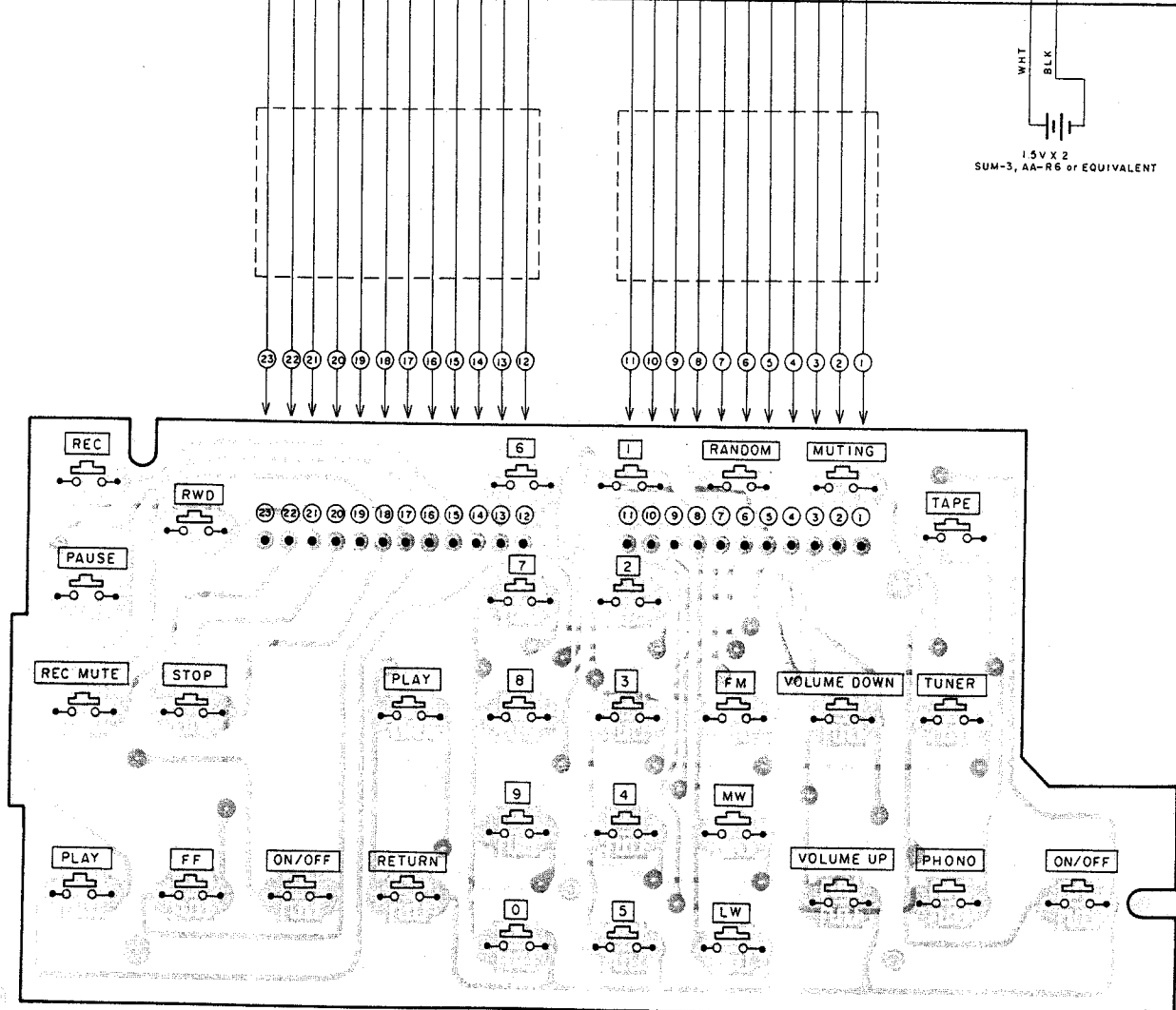
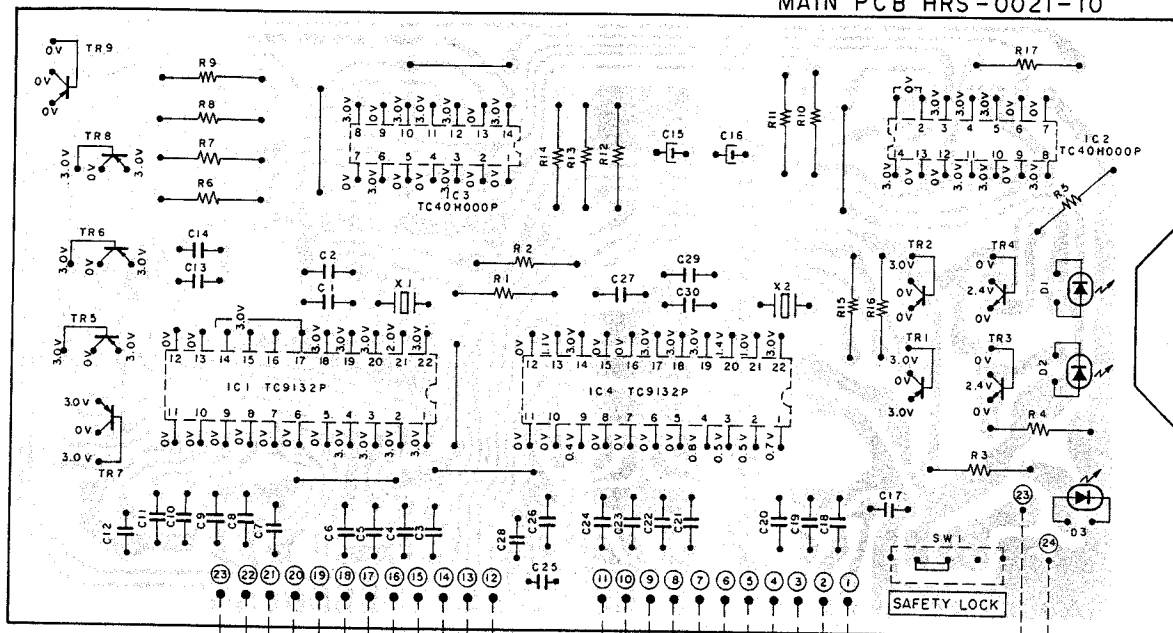
RC-3033/L

MAIN (HRS-0021-10) and SW (HRS-0021-07) P.C BOARDS

TR 1,2 2SA1015
 TR 3,4 2SC2120
 TR 5 to 9 2SA1015
 D 1,2 SE303A
 D 3 SEL1123W



MAIN PCB HRS-0021-10



SW PCB HRS-0021-07

MEMO

MEMO

MEMO

For Service Manuals
MAURITRON SERVICES
8 Cherry Tree Road, Chinnor
Oxfordshire, OX9 4QY.
Tel (01844) 351694
Fax (01844) 352554
email:- mauritron@dial.pipex.com

SECTION 3

PARTS LIST

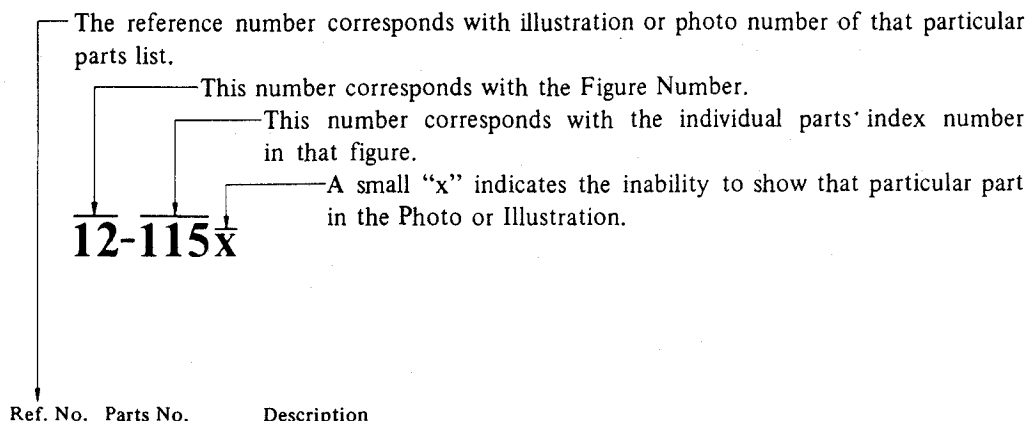
TABLE OF CONTENTS

1.	RECOMMENDED SPARE PARTS.....	29
2.	DECORDER P.C BOARD BLOCK.....	29
3.	MAIN AMP P.C BOARD BLOCK	
4.	PRE AMP P.C BOARD BLOCK.....	29
5.	LED P.C BOARD BLOCK.....	29
6.	FUSE P.C BOARD BLOCK.....	29
7.	ASSEMBLY BLOCK.....	30
8.	FINAL ASSEMBLY BLOCK.....	31
9.	REMOTE CONTROL UNIT RC-3033/L.....	31
	INDEX.....	32

Resistor and Capacitor which are not listed in this parts list, please refer to COMMON LIST FOR SERVICE PARTS.

HOW TO USE THIS PARTS LIST

1. This parts list is compiled by various individual blocks based on assembly process.
2. When ordering parts, please describe parts number, serial number, and model number in detail.
3. How to read list.



4. The symbol numbers shown on the P.C. Board list can be matched with the Composite Views of components of the Schematic Diagram or Service Manual.
5. The indications of Resistors and Capacitors in the photos of P.C. Board are being eliminated.
6. The shape of the parts and parts name, etc. can be confirmed by comparing them with the parts shown on the Electrical Parts Table of P.C. Board.
7. Both the kind of part and installation position can be determined by the Parts Number. To determine where a parts number is listed, utilize Parts Index at end of Parts List.
It is necessary first of all to find the Parts Number. This can be accomplished by using the Reference Number listed at right of parts number in the Parts Index. (meaning of ref. no. outlined in Item 3 above).
8. Utilize separate "Price List for Parts" to determine unit price. The most simple method of finding parts Price is to utilize the reference number.

CAUTION:

1. When placing an order for parts, be sure to list the parts no. model no., and description. There are instances in which if any of this information is omitted, parts cannot be shipped or the wrong parts will be delivered.
2. Please be careful not to make a mistake in the parts no. If the parts no. is in error, a part different from the one ordered may be delivered.
3. Because parts number and parts unit supply in the Preliminary Service Manual (Basic Parts List) may be partially changed, please use this parts list for all future reference.

WARNING:

△ INDICATES SAFETY CRITICAL COMPONENTS. FOR CONTINUED SAFETY, REPLACE SAFETY CRITICAL COMPONENTS ONLY WITH MANUFACTURER'S RECOMEMNDED PARTS.

AVERTISSEMENT: △ IL INDIQUE LES COMPOSANTS CRITIQUES DE SURETE. POUR MAINTENIR LE DEGRE DE SECURITE DE L'APPAREIL NE REMPLACER LES COMPOSANTS DONT LE FONCTIONNEMENT EST CRITIQUE POUR LA SECURITE QUE PAR DES PIECES RECOMMANDEES PAR LE FABRICANT.

PARTS LIST

1. RECOMMENDED SPARE PARTS

Because, if the parts listed below are on hand, almost any repair can be accomplished, we suggest that you stock these Recommended Spare Parts Items.

REF. NO.	PARTS NO.	DESCRIPTION
1-1	BT330707	△ TRANS POWER AM-U330ST-30 (C, A)
1-2	BT330708	△ TRANS POWER AM-U330ST-40 (E, V)
1-3	BT330709	△ TRANS POWER AM-U330ST-50 (B, S)
1-4	BT330705	△ TRANS POWER AM-U330ST-70 (U)
1-5	BT330712	△ TRANS POWER AM-U330T-20 (A)
1-6	BT330713	△ TRANS POWER AM-U330T-30 (C)
1-7	BT330714	△ TRANS POWER AM-U330T-40 (E, V)
1-8	BT330715	△ TRANS POWER AM-U330T-50 (B, S)
1-9	BT330710	△ TRANS POWER AM-U330T-70 (U)
1-10	EC330718	OSC CE CRM455A 0.455 MHZ
1-11	ED322247	D LED SLP-151D RED
1-12	ED322773	D LED SLP-255D-01 GRN
1-13	ED330717	D PHOTO NJL6144L
1-14	ED200749	D SILICON DBA60-K15 400/6.0A
1-15	ED200469	D SILICON H DS448 FA1 F10
1-16	ED214457	D SILICON H 1S2472
1-17	ED322238	D SILICON 1B4B41 100/1.0A
1-18	ED330867	D ZENER H WZ-038
1-19	ED315367	D ZENER H WZ-050
1-20	ED498150	D ZENER H WZ-192
1-21	ED201448	D ZENER H WZ-280
1-22	EF322975	△ FUSE EA WK T 250V 0.16A (E, B, S, V)
1-23	EF325683	△ FUSE GGS A 125V 5A (C, A)
1-24	EF330462	△ FUSE GGS A 250V 0.20A (C, A)
1-25	EF330461	△ FUSE GGS A 250V 0.50A (C, A)
1-26	EF593706	△ FUSE SEMKO T 250V 0.50A (E, B, S, V)
1-27	EF623125	△ FUSE SEMKO T 250V 2.5A (E, B, S, V)
1-28	EF242605	△ FUSE SEMKO T 250V 6.30A (E, B, S, V)
1-29	EF303348	△ FUSE ST6 125V 6.30A (C, A)
1-30	EF308933	△ FUSE TSC A 250V 0.20A (U)
1-31	EF306951	△ FUSE TSC A 250V 2.5A (U)
1-32	EF326613	FUSE TSC A 250V 5A (U)
1-33	EI330844	IC HA12022
1-34	EI319215	IC IR2406G
1-35	EI329612	IC LB1409
1-36	EI200794	IC STK-2155
1-37	EI323563	IC STK-3042
1-38	EI323564	IC TA7317P
1-39	EI200938	IC TA75558S
1-40	EI330720	IC TC9134P
1-41	EI330721	IC TC9135P
1-42	EI330226	IC μPC1373H
1-43	EI310031	IC μPC78L05
1-44	EI330848	IC μPC78L12
1-45	EL330853	PL SOCKET 16.0V 80MA
1-46	EP328529	RELAY LEAD LAB2NS 2NO 12V
1-47	EP330881	RELAY POWER AR32127 1NO 24V (C, A)
1-48	EP330854	RELAY POWER AR32128 1NO 24V (U, E, B, S, V)
1-49	EP323565	RELAY POWER G2Z-222P-US 2NO 24V
1-50	ER200746	△ R FUSE ERD2FC 1/4W 1000G
1-51	ER200747	△ R FUSE ERD2FC 1/4W 68R0G
1-52	ES310839	△ SW PUSH SDG1P-E 01-1 E (U, E, B, S, V)
1-53	ES679566	△ SW PUSH SDG1P001 02 UC (C, A)
1-54	ES330722	SW PUSH SUF22 2-THROW
1-55	ES330723	SW PUSH SUF42 4-THROW
1-56	ES330849	SW ROTARY SBU1024S 2-02-04S
1-57	ES323367	SW TACT KEC10001
1-58	ET200558	TR 2SA1115 (E, F)
1-59	ET323529	TR 2SA608K-NP (E, F)
1-60	ET322778	TR 2SA608K-NP (E, F, G)
1-61	ET324134	TR 2SA984K (E, F)
1-62	ET322598	TR 2SB632K (E, F)
1-63	ET307195	TR 2SC2240 (GR, BL)
1-64	ET309353	TR 2SC2274 (E, F)
1-65	ET316171	TR 2SC536K-NP (E, F)
1-66	ET310148	TR 2SD612K (E, F)
1-67	EV330724	VR ROTARY 16P20x2C 1Z254
1-68	EV330725	VR ROTARY 16P20x2D C104
1-69	EV330843	VR ROTARY 16P20x2E C104

2. DECORDER P.C BOARD BLOCK

REF. NO.	PARTS NO.	DESCRIPTION
2-1	BAA2009A040A	PC DECORDER BLK AM-U330T
2-IC1	EI200938	IC TA75558S
2-IC2, 3	EI330720	IC TC9134P
2-IC4	EI330721	IC TC9135P
2-IC5	EI330226	IC μPC1373H
2-IC6, 7	EI200938	IC TA75558S
2-IC8	EI330848	△ IC μPC78L12
2-IC9	EI310031	△ IC μPC78L05
2-TR1 to 4	ET200558	△ TR 2SA1115 (E, F)
2-TR5	ET316171	TR 2SC536K-NP (E, F)
2-TR6	ET323529	TR 2SA608K-NP (E, F)
2-TR7	ET316171	TR 2SC536K-NP (E, F)
2-TR8	ET324134	TR 2SA984K (E, F)
2-TR9	ET309353	TR 2SC2274 (E, F)
2-TR10, 11	ET316171	TR 2SC536K-NP (E, F)
2-TR12	ET309353	△ TR 2SC2274 (E, F)
2-TR13, 14	ET316171	TR 2SC536K-NP (E, F)
2-D1 to 7	ED200469	D SILICON H DS448 FA1 F10
2-D8	ED322238	△ D SILICON 1B4B41 100/1.0A
2-D9	ED315367	△ D ZENER H WZ-050
2-D10	ED200469	D SILICON H DS448 FA1 F10
2-D11	ED322238	△ D SILICON 1B4B41 100/1.0A
2-VR1	EV315414	R S-FIX H D8 3P 203
2-RL1 to 5	EP328529	RELAY LEAD LAB2NS 2NO 12V
2-L1	EO330719	COIL FIX I 8RB 10MH K
2-X1, 2	EC330718	OSC CE CRM455A 0.455MHZ
2-J9, 10	EJ315377	SOCKET IC S-12457 P 42P
2-R9, 10	ER323074	△ R CB H SNP FS RDS 1/4W 102J
2-R35	ER322591	△ R CB H SNP FS RDS 1/4W 101J
2-R54, 55	ER323074	△ R CB H SNP FS RDS 1/4W 102J

3. MAIN AMP P.C BOARD BLOCK

REF. NO.	PARTS NO.	DESCRIPTION
3-1	BAA2009A050A	PC MAIN AMP BLK AM-U330T
3-IC1	EI323563	IC STK-3042
3-IC2	EI200794	IC STK-2155
3-IC3	EI323564	IC TA7317P
3-TR1	ET307195	TR 2SC2240 (GR, BL)
3-TR2	ET322778	TR 2SA608K-NP (E, F, G)
3-TR3	ET310148	△ TR 2SD612K (E, F)
3-TR4	ET322598	△ TR 2SB632K (E, F)
3-D1, 2	ED200469	D SILICON H DS448 FA1 F10
3-D3, 4	ED214457	D SILICON H 1S2472
3-D5	ED200749	△ D SILICON DBA60-K15 400/6.0A
3-D6, 7	ED498150	△ D ZENER H WZ-192
3-D8, 9	ED200469	D SILICON H DS448 FA1 F10
3-D10, 11	ED201448	△ D ZENER H WZ-280
3-VR1	EV315413	R S-FIX H D8 3P 503
3-RL1	EP323565	RELAY POWER G2Z-222P-US 2NO24V
3-L1	EO324220	COIL FIX 2 2.2UH
3-R8, 9	ER308875	△ R CB H SNP FS RDS 1/2W 100J
3-R10, 11	ER328082	△ R CB H SNP FS RDS 1/4W 332J
3-R29	ER300159	△ R OMF H FS 2W 911J
3-R33, 34	ER302240	△ R CB H SNP FS RDS 1/2W 222J
3-R35, 36	ER322787	△ R CB H SNP FS RDS 1/4W 100J
3-FR1, 2	ER200747	△ R FUSE ERD2FC 1/4W 68R0G
3-FR3, 4	ER200746	△ R FUSE ERD2FC 1/4W 1000G
3-C14, 15	EC200949	C EC V F05 NP SM 470M 10DC
3-C18, 19	EC326583	C MMY V CUT CF921 473K 400DC
3-C20 to 23	EC320548	C CE V F 103Z 250AC
3-C24, 25	EC200811	C EC V SNP NM 103 50DC

4. PRE AMP P.C BOARD BLOCK

REF. NO.	PARTS NO.	DESCRIPTION
4-1	BAA2009A080A	PC PRE AMP BLK AM-U330T
4-IC1, 2	EI200938	IC TA75558S
4-IC3	EI330844	IC HA12022
4-SW1	ES330722	SW PUSH SUF22 2-THROW
4-SW2	ES330723	SW PUSH SUF42 4-THROW
4-SW3	ES330849	SW ROTARY SBU1024S 2-02-04S
4-VR1	EV330724	VR ROTARY 16P20 x 2C 1Z254
4-VR2	EV330725	VR ROTARY 16P20 x 2D C104
4-VR3	EV330843	VR ROTARY 16P20 x 2E C104
4-VR4	EV315414	R S-FIX H D8 3P 203
4-R6, 7	ER323074	△ R CB H SNP FS RDS 1/4W 102J
4-R21, 22	ER323074	△ R CB H SNP FS RDS 1/4W 102J
4-R34, 35	ER324934	△ R CB H SNP FS RDS 1/4W 220J
4-C26	EC313825	C SA V F05 R33K 25DC

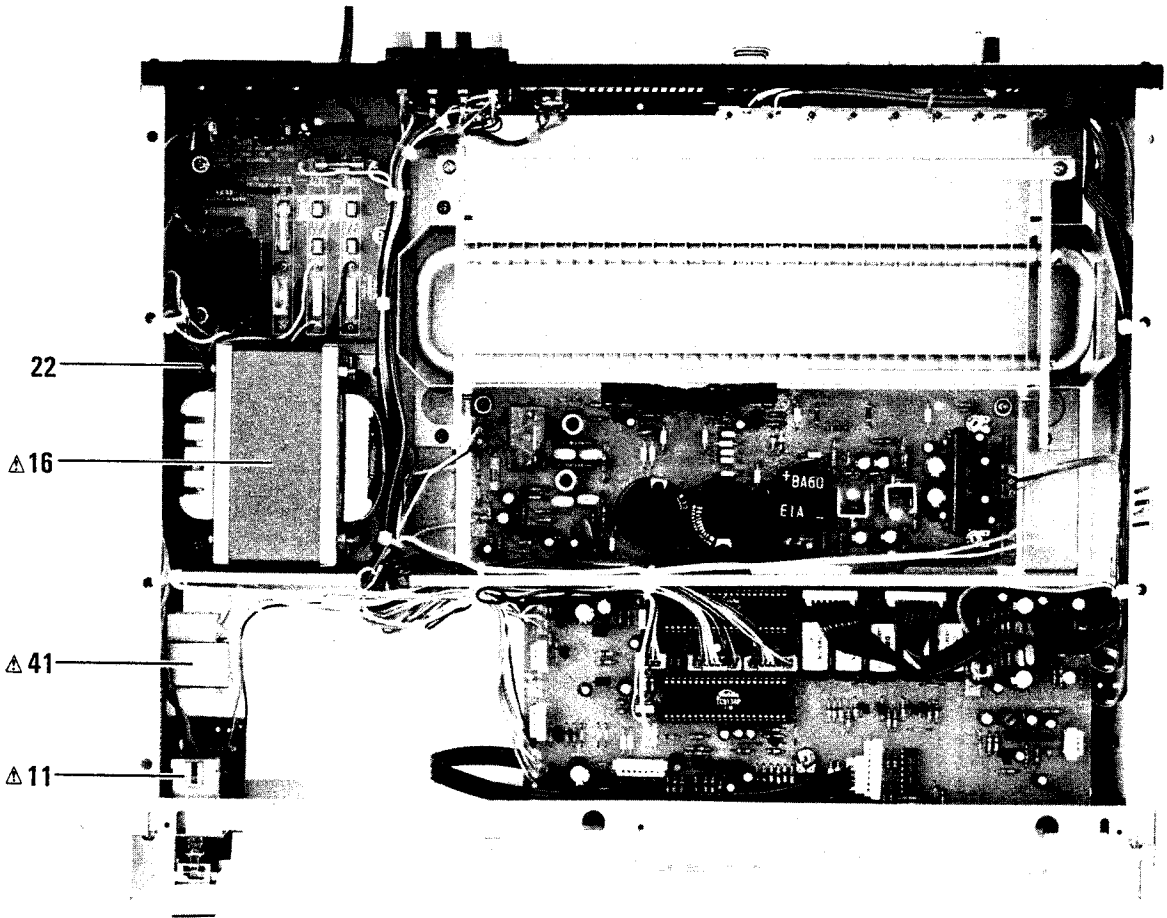
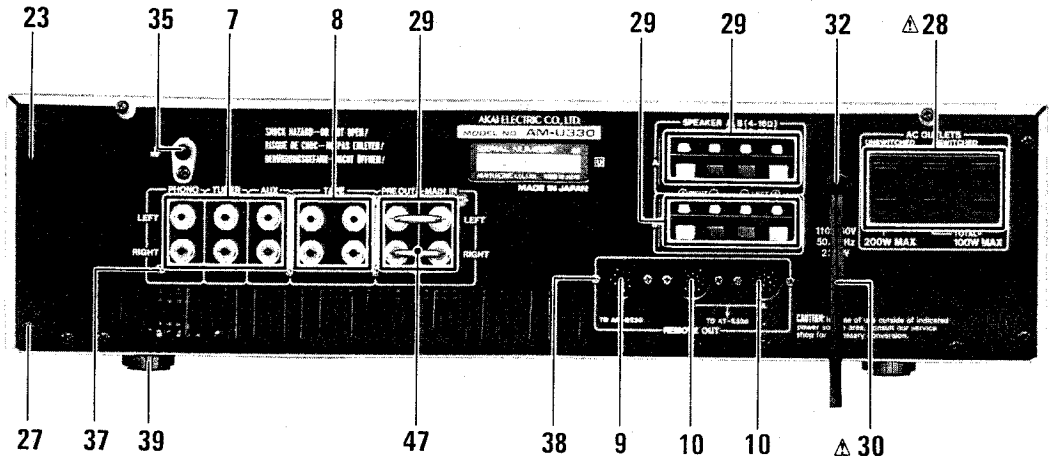
5. LED P.C BOARD BLOCK

REF. NO.	PARTS NO.	DESCRIPTION
5-IC1	EI329612	IC LB1409
5-IC2	EI319215	IC IR2406G
5-D1	ED200469	D SILICON H DS448 FA1 F10
5-D2 to 10	ED322247	D LED SLP-151D RED
5-D11	ED330867	D ZENER H WZ-038
5-D12 to 21	ED322247	D LED SLP-151D RED
5-VR1	EV315413	R S-FIX H D8 3P 503
5-R15	ER328067	△ R CB H SNP FS RDS 1/4W 331J

6. FUSE P.C BOARD BLOCK

REF. NO.	PARTS NO.	DESCRIPTION
6-RL1	EP330854	△ RELAY POWER AR32128 1NO24V (U, E, B, S, V)
6-RL1	EP330881	△ RELAY POWER AR32127 1NO 24V (C, A)
6-C1	EC320548	△ C CE V F 103Z 250AC (U)
6-C1	EC314688	△ C CE V FZ 103P 125AC (C, A)
6-C1	EC330307	△ C MMY V ECQUF 472M 250AC (E, B, S, V)
6-F1	EF326613	△ FUSE TSC A 250V 5A (U)
6-F1	EF325683	△ FUSE GGS A 125V 5A (C, A)
6-F1	EF623125	△ FUSE SEMKO T 250V 2.5A (E, B, S, V)
6-F2, 3	EF306951	△ FUSE TSC A 250V 2.5A (U)
6-F2, 3	EF303348	△ FUSE ST6 125V 6.30A (C, A)
6-F2, 3	EF242605	△ FUSE SEMKO T 250V 6.30A (E, B, S, V)
6-F4	EF308933	△ FUSE TSC A 250V 0.20A (U)
6-F4	EF330461	△ FUSE GGS A 250V 0.50A (C, A)
6-F4	EF593706	△ FUSE SEMKO T 250V 0.50A (E, B, S, V)
6-F5	EF330462	△ FUSE GGS A 250V 0.20A (C, A)
6-F5	EF322975	△ FUSE EAWK T 250V 0.16A (E, B, S, V)

ASSEMBLY BLOCK



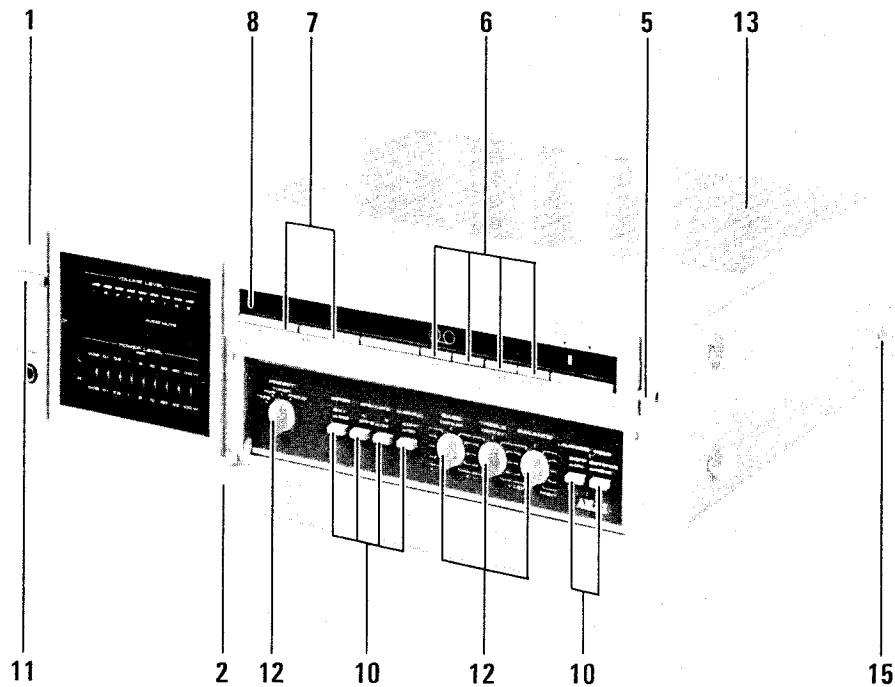
7. ASSEMBLY BLOCK

REF. NO.	PARTS NO.	DESCRIPTION
LAMP P.C BOARD BLOCK		
7-1x	ES323367	SW TACT KEC10001 (SW1 to 6)
7-2x	EL330853	PL SOCKET 16.0V 80MA (IN1 to 6)
PHOTO SENSOR P.C BOARD BLOCK		
7-3x	ED330717	D PHOTO NJL6144L (D1)
7-4x	ED322773	D LED SLP-255D-01 GRN (D2)
HEADPHONE P.C BOARD BLOCK		
7-5x	EJ330545	PHONE J 3P HLJ315-020 6.3 (J1)
7-6x	ER658034	R OMF H FS 2W 221J (R1, 2)
PIN JACK BLOCK		
7-7	EJ323144	PIN J T5718-C P 6P (J1)
7-8	EJ323143	PIN J T5717-C P 4P (J2, 3)
DIN JACK BLOCK		
7-9	EJ330856	DIN J TCS0244-01-1201 L 4P (J903)
7-10	EJ330716	DIN J TCS0284-01-1201 L 8P (J904, 905)

POWER SW BLOCK

7-11	ES310839	△ SW PUSH SDG1P-E 01-1 E (U, E, B, S, V)
7-12x	ES679566	△ SW PUSH SDG1P001 01-1 UC (C, A)
7-13x	EC320548	△ C CE V F 103Z 250AC (U)
7-14x	EC314688	△ C CE V FZ 103P 125AC (C, A)
7-15x	EC330307	△ C MMY V ECQUF 472M 250AC (E, B, S, V)
7-16	BT330710	△ TRANS POWER AM-U330T-70 (U)
7-17x	BT330713	△ TRANS POWER AM-U330T-30 (C)
7-18x	BT330712	△ TRANS POWER AM-U330T-20 (A)
7-19x	BT330714	△ TRANS POWER AM-U330T-40 (E, V)
7-20x	BT330715	△ TRANS POWER AM-U330T-50 (B, S)
7-21x	ZW413267	N FRANGE 40STL CMT
7-22	ZS424056	PAN40 × 10STL CMT
7-23	SP330788B	PANEL REAR AM-U330 (U)
7-24x	SP330788C	PANEL REAR AM-U330 (C, A)
7-25x	SP330788D	PANEL REAR AM-U330 (E) (E, V)
7-26x	SP330788E	PANEL REAR AM-U330 (B, S)
7-27	ZS319460	T2BR30 × 06STL BZN PROJECTION
7-28	EJ240535	△ SOCKET OUTLET S-16462UC 3 × 2P (U, C, A)
7-29	EJ322582	TERMINAL PUSH S-Q2370 S 4P
7-30	EW306428	△ AC CORD 2 CORES KP-205A, VFF UCJ (U)
7-31x	EW305691	△ AC CORD 2 CORES KP-8, SPT-1 UC (C, A)
7-32	SZ631945	STRAIN RELIEF SR-4N-4 (U, C, A)
7-33x	EJ296853	△ SOCKET INLET CM-3 UCEB 3P (E, B, S, V)
7-34x	ZS463353	T2BR30 × 08STL BNI (E, B, S, V)
7-35	EJ329610	TERMINAL W/SCREW UB-0067 L 1P
7-36x	ZW305013	RV POP32 (A)
7-37	ZS522865	T2BR30 × 12STL BNI
7-38	ZS608185	PAN26 × 04STL BNI
7-39	SA312465	CIRCULAR FOOT (A) PART CA
7-40x	ZS565942	T2PAN40 × 08STL CMT
7-41	BT330705	△ TRANS POWER AM-U330ST-70 (U)
7-42x	BT330707	△ TRANS POWER AM-U330ST-30 (C, A)
7-43x	BT330708	△ TRANS POWER AM-U330ST-40 (E, V)
7-44x	BT330709	△ TRANS POWER AM-U330ST-50 (B, S)
7-45x	ZW413188	N40STL CMT 1
7-46x	EC258333	△ C CE V YF 473Z 50DC
7-47	EJ326185	PLUG SHORT PIN UZ-0120
7-48x	EZ328570	CAP 3P INLET (V)

FINAL ASSEMBLY BLOCK

**8. FINAL ASSEMBLY BLOCK**

REF. NO.	PARTS NO.	DESCRIPTION
FRONT PANEL BLOCK		
8-1	BDA2009A130A	PANEL FRONT BLK AM-U330T
8-2	SPB603039	PANEL DOOR PART
8-3x	TAA2009A190A	HINGE (L) BLK AM-U330T
8-4x	TAA2009A200A	HINGE (R) BLK AM-U330T
8-5	SK330752A	KNOB DOOR
8-6	SK330748A	KNOB PUSH (A)
8-7	SK330803A	KNOB PUSH (A)
8-8	TA330795	WINDOW SELECTOR
8-9x	ZG312400	SP T1-4.0/0.4-31.5 T1-117
FINAL ASSEMBLY BLOCK		
8-10	SK330804	KNOB PUSH (B)
8-11	SK330751	KNOB POWER
8-12	SK330806	KNOB ROTARY
8-13	SP330791A	COVER UPPER (A) (U, C, E, B, S, V)
8-14x	SP330791B	COVER UPPER (B) (A)
8-15	ZS322570	ST BID40 × 08STL N13 (U, C, E, B, S, V)
8-16x	ZS322580	ST BID40 × 08STL BNI (A)

9. REMOTE CONTROL UNIT RC-3033/L

REF. NO.	PARTS NO.	DESCRIPTION
9-1	AX330971	REMOTE CONTROL UNIT RC-3033
9-2	AX330972	REMOTE CONTROL UNIT RC-3033L
9-IC1	EI780016	IC TC9132P
9-IC2, 3	EI780017	IC TC40H000P
9-IC4	EI780016	IC TC9132P
9-TR1, 2	ET308867	TR 2SA1015 (O, Y, GR)
9-TR3, 4	ET328844	TR 2SC2120 (O, Y)
9-TR5 to 9	ET308867	TR 2SA1015 (O, Y, GR)
9-D1, 2	ED706226	D LED SE303A INFRARAD
9-D3	ED780019	D LED SEL1123W
9-SW1	ES780015	SW SLIDE
9-X1, 2	EI780018	OSC CE KBR-445B 455KHZ

INDEX

Parts No.	Ref. No. & Symbol No.	Parts No.	Ref. No. & Symbol No.	Parts No.	Ref. No. & Symbol No.	Parts No.	Ref. No. & Symbol No.
AX330971	9-1	EJ323143	7-8	ZG312400	8-9x		
AX330972	9-2	EJ323144	7-7	ZS319460	7-27		
BAA2009A040A	2-1	EJ326185	7-47	ZS322570	8-15		
BAA2009A050A	3-1	EJ329610	7-35	ZS322580	8-16x		
BAA2009A080A	4-1	EJ330545	7-5x	ZS424056	7-22		
BDA2009A130A	8-1	EJ330716	7-10	ZS463353	7-34x		
BT330705	7-41	EJ330856	7-9	ZS522865	7-37		
BT330707	7-42x	EL330853	7-2x	ZS565942	7-40x		
BT330708	7-43x	EO324220	3-L1	ZS608185	7-38		
BT330709	7-44x	EO330719	2-L1	ZW305013	7-36x		
BT330710	7-16	EP323565	3-RL1	ZW413188	7-45x		
BT330712	7-18x	EP328529	2-RL1 to 5	ZW413267	7-21x		
BT330713	7-17x	EP330854	6-RL1				
BT330714	7-19x	EP330881	6-RL1				
BT330715	7-20x	ER200746	3-FR3, 4				
EC200811	3-C24, 25	ER200747	3-FR1, 2				
EC200949	3-C14, 15	ER300159	3-R29				
EC258333	7-46x	ER302240	3-R33, 34				
EC313825	4-C26	ER308875	3-R8, 9				
EC314688	6-C1	ER322591	2-R35				
EC314688	7-14x	ER322787	3-R35, 36				
EC320548	3-C20 to 23	ER323074	2-R9, 10				
EC320548	6-C1	ER323074	2-R54, 55				
EC320548	7-13x	ER323074	4-R6, 7				
EC326583	3-C18, 19	ER323074	4-R21, 22				
EC330307	6-C1	ER324934	4-R34, 35				
EC330307	7-15x	ER328067	5-R15				
EC330718	2-X1, 2	ER328082	3-R10, 11				
ED200469	2-D1 to 7	ER658034	7-6x				
ED200469	2-D10	ES310839	7-11				
ED200469	3-D1, 2	ES323367	7-1x				
ED200469	3-D8, 9	ES330722	4-SW1				
ED200469	5-D1	ES330723	4-SW2				
ED200749	3-D5	ES330849	4-SW3				
ED201448	3-D10, 11	ES679566	7-12x				
ED214457	3-D3, 4	ES780015	9-SW1				
ED315367	2-D9	ET200558	2-TR1 to 4				
ED322238	2-D8	ET307195	3-TR1				
ED322238	2-D11	ET308867	9-TR1, 2				
ED322247	5-D2 to 10	ET308867	9-TR5 to 9				
ED322247	5-D12 to 21	ET309353	2-TR12				
ED322773	7-4x	ET309353	2-TR9				
ED330717	7-3x	ET310148	3-TR3				
ED330867	5-D11	ET316171	2-TR13, 14				
ED498150	3-D6, 7	ET316171	2-TR5				
ED706226	9-D1, 2	ET316171	2-TR7				
ED780019	9-D3	ET316171	2-TR10, 11				
EF242605	6-F2, 3	ET322598	3-TR4				
EF303348	6-F2, 3	ET322778	3-TR2				
EF306951	6-F2, 3	ET323529	2-TR6				
EF308933	6-F4	ET324134	2-TR8				
EF322975	6-F5	ET328844	9-TR3, 4				
EF325683	6-F1	EV315413	3-VR1				
EF326613	6-F1	EV315413	5-VR1				
EF330461	6-F4	EV315414	2-VR1				
EF330462	6-F5	EV315414	4-VR4				
EF593706	6-F4	EV330724	4-VR1				
EF623125	6-F1	EV330725	4-VR2				
EI200794	3-IC2	EV330843	4-VR3				
EI200938	2-IC1	EW305691	7-31x				
EI200938	2-IC6, 7	EW306428	7-30				
EI200938	4-IC1, 2	EZ328570	7-48x				
EI310031	2-IC9	SA312465	7-39				
EI319215	5-IC2	SK330748A	8-6				
EI323563	3-IC1	SK330751	8-11				
EI323564	3-IC3	SK330752A	8-5				
EI329612	5-IC1	SK330803A	8-7				
EI330226	2-IC5	SK330804	8-10				
EI330720	2-IC2, 3	SK330806	8-12				
EI330721	2-IC4	SPB603039	8-2				
EI330844	4-IC3	SP330788B	7-23				
EI330848	2-IC8	SP330788C	7-24x				
EI780016	9-IC1	SP330788D	7-25x				
EI780016	9-IC4	SP330788E	7-26x				
EI780017	9-IC2, 3	SP330791A	8-13				
EI780018	9-X1, 2	SP330791B	8-14x				
EJ240535	7-28	SZ631945	7-32				
EJ296853	7-33x	TAA2009A190A	8-3x				
EJ315377	2-J9, 10	TAA2009A200A	8-4x				
EJ322582	7-29	TA330795	8-8				

For Service Manuals
MAURITRON SERVICES
8 Cherry Tree Road, Chinnor
Oxfordshire, OX9 4QY.
Tel (01844) 351694
Fax (01844) 352554
 email: mauritron@dial.pipex.com

SECTION 4

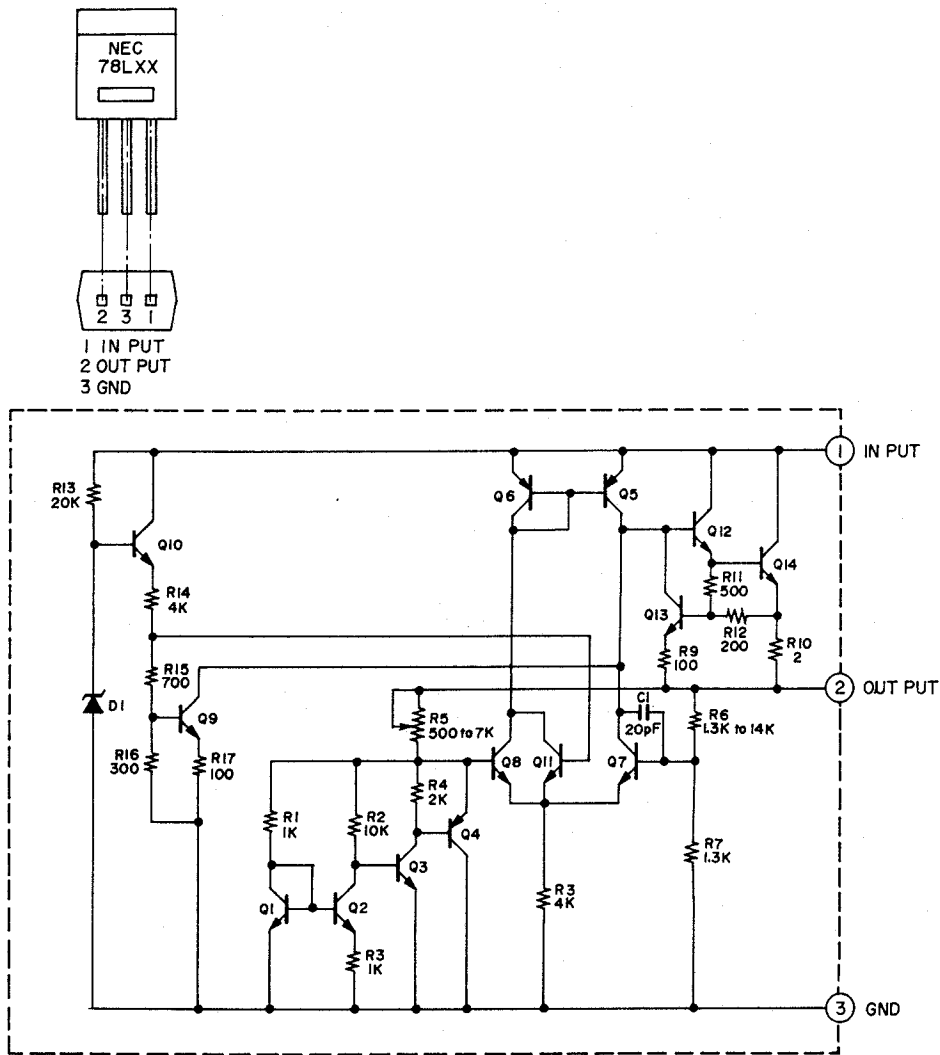
SCHEMATIC DIAGRAM

1. SCHEMATIC DIAGRAM OF ICs	34
2. AM-U330T/TL NO. 1-1 001229 CONNECTION DIAGRAM	40
3. AM-U330T/TL NO. 2-2 1621054A PRE/MAIN AMP SCHEMATIC DIAGRAM	41
4. RC-3033/L NO. 1621654A SCHEMATIC DIAGRAM	42

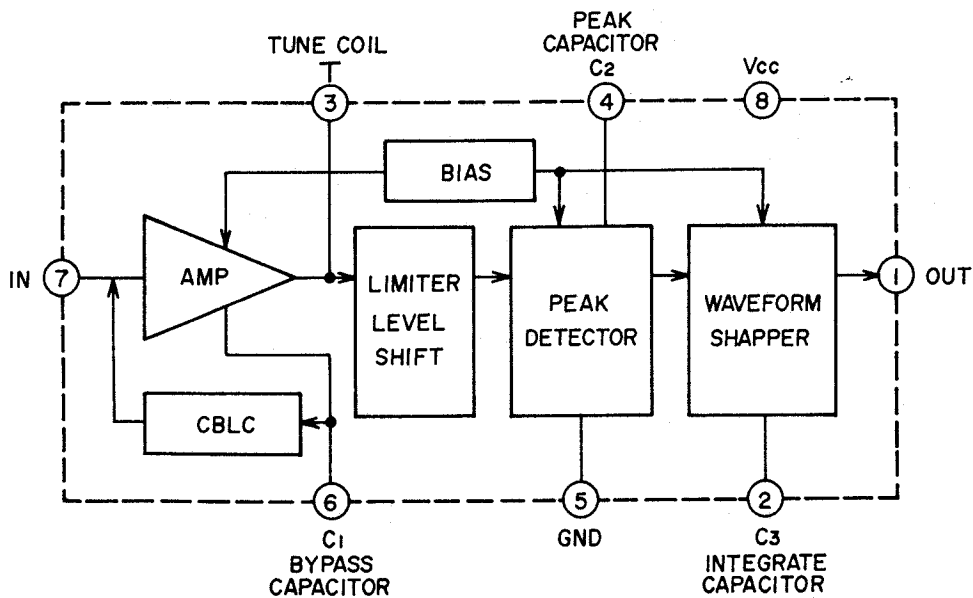
SCHEMATIC DIAGRAM

1. SCHEMATIC DIAGRAM OF ICs

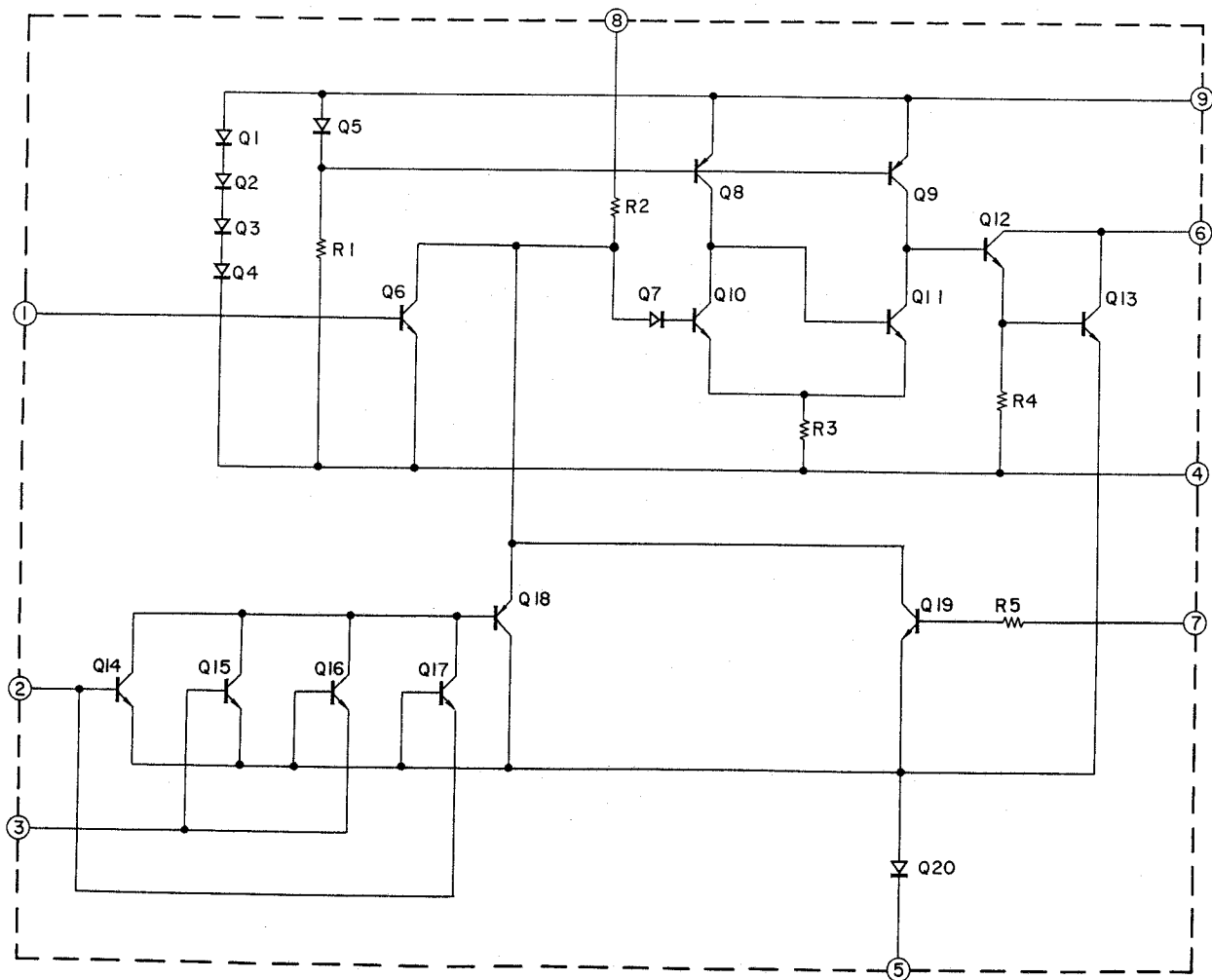
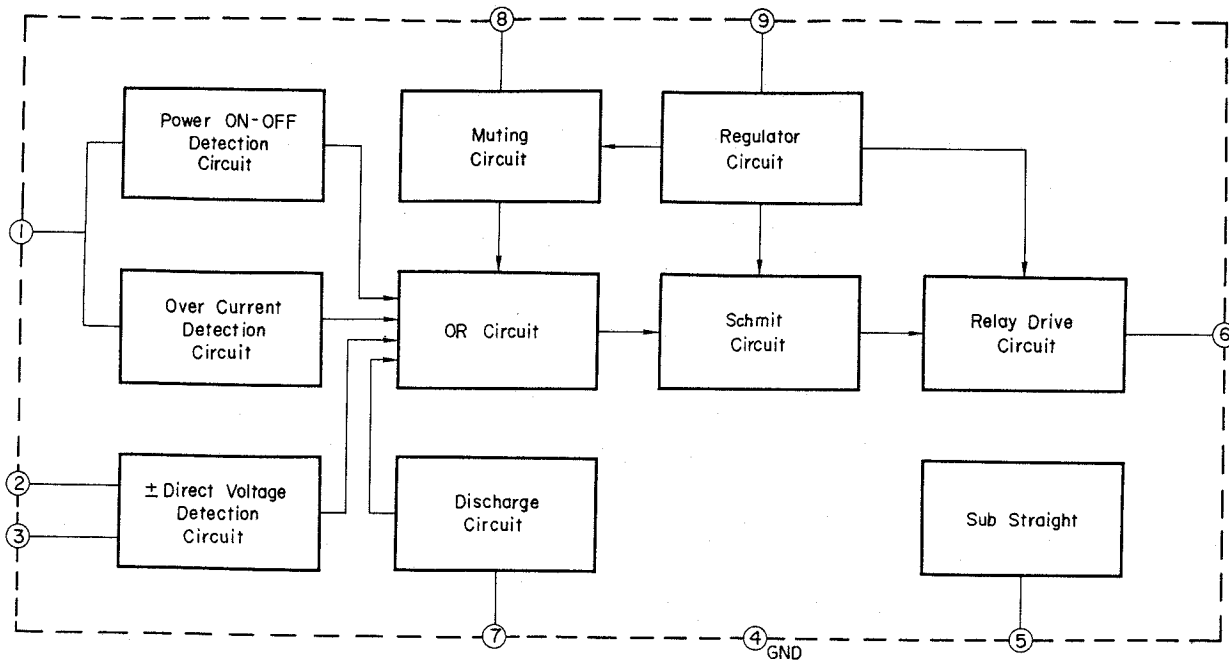
μ PC78L05/ μ PC78L12



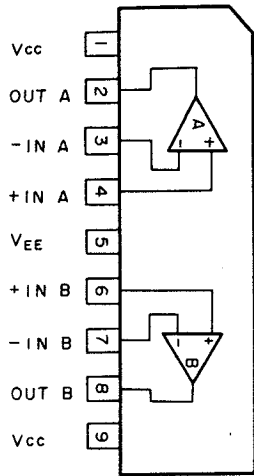
μ PC1373H



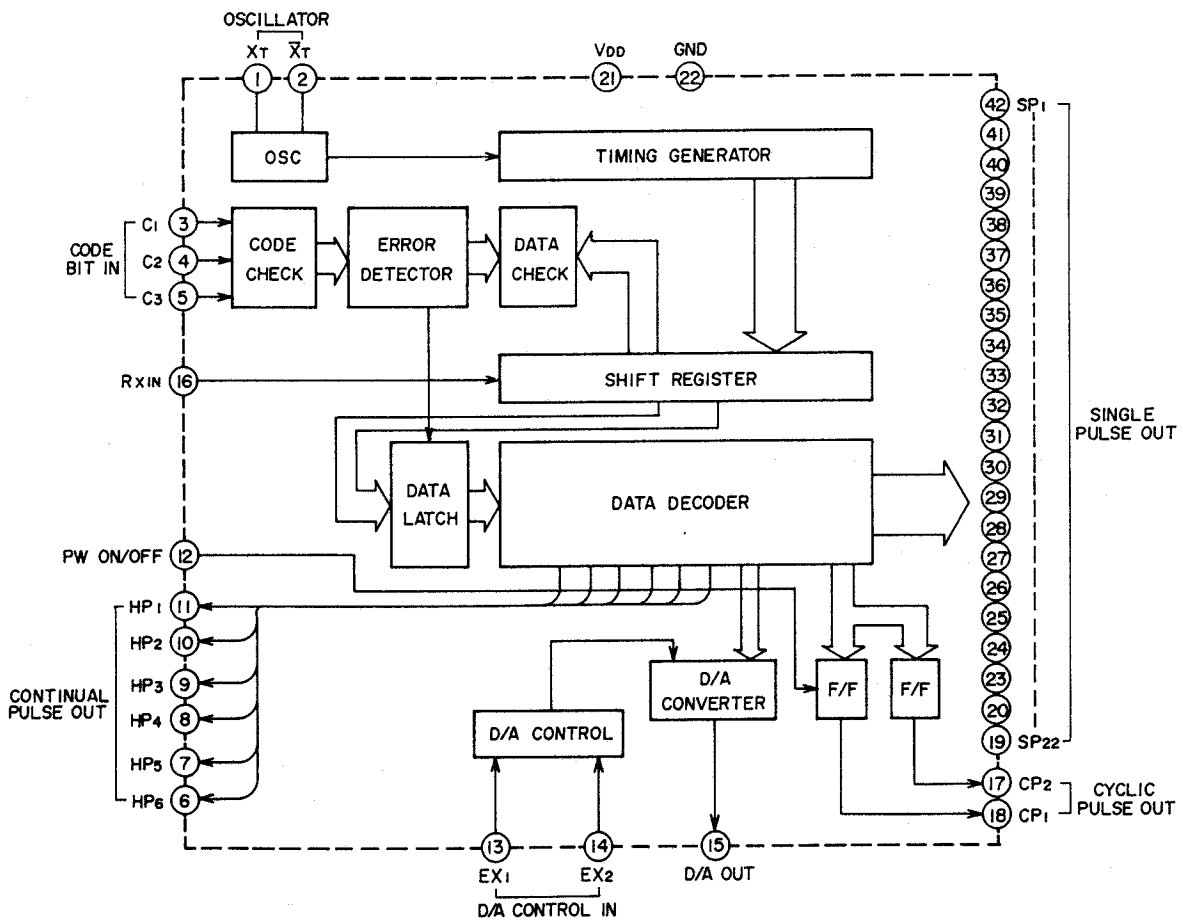
TA7317P



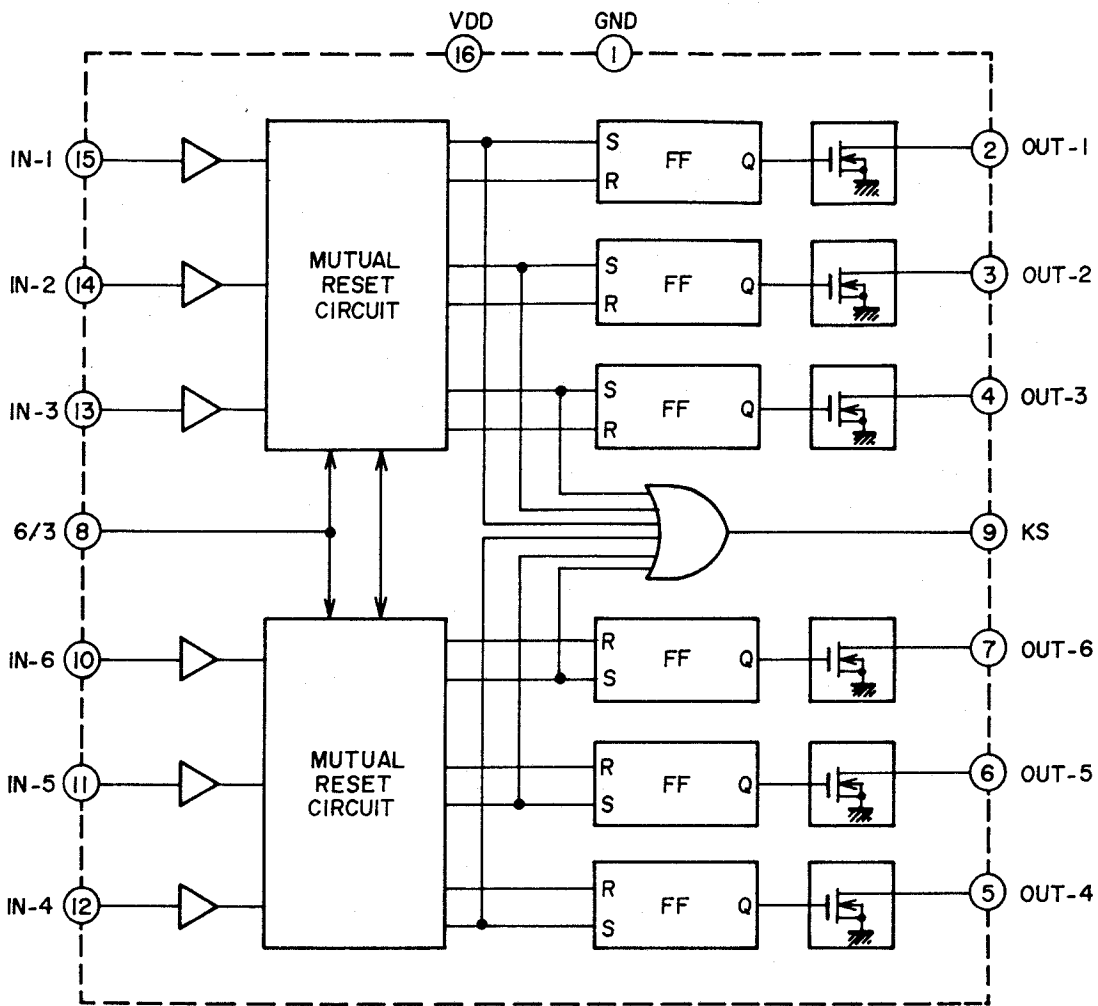
TA75558S



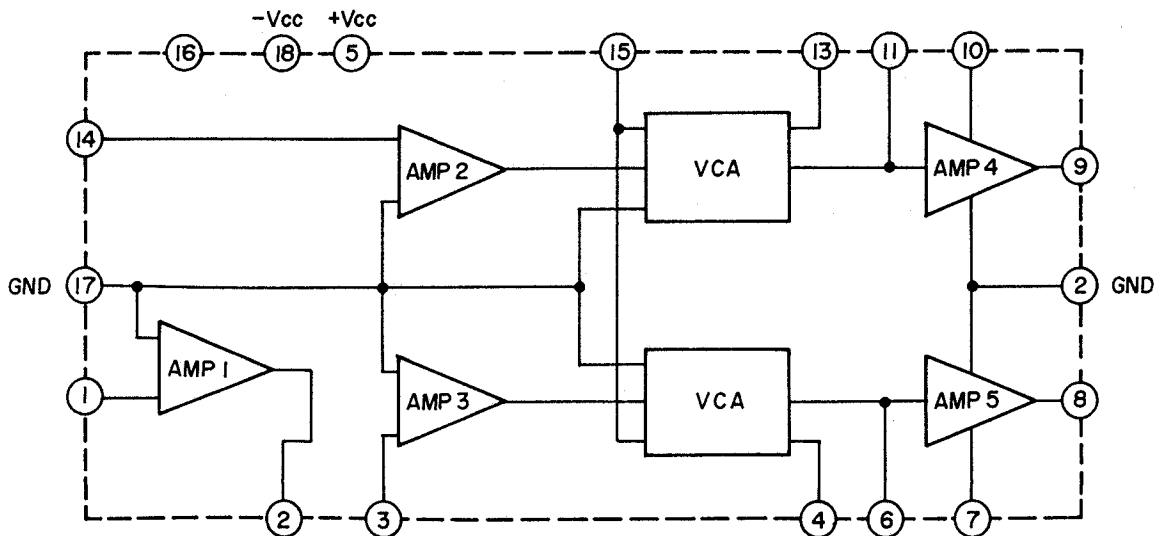
TC9134P



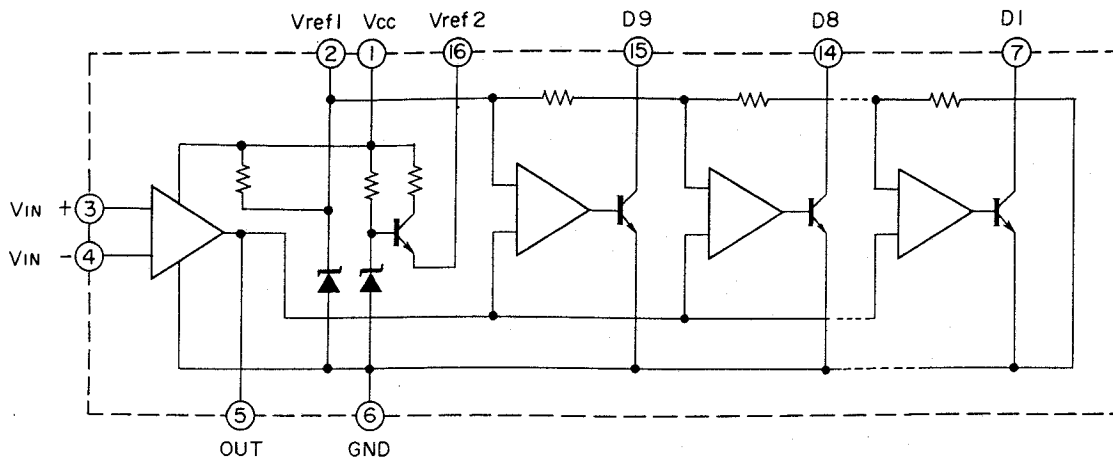
TC9135P



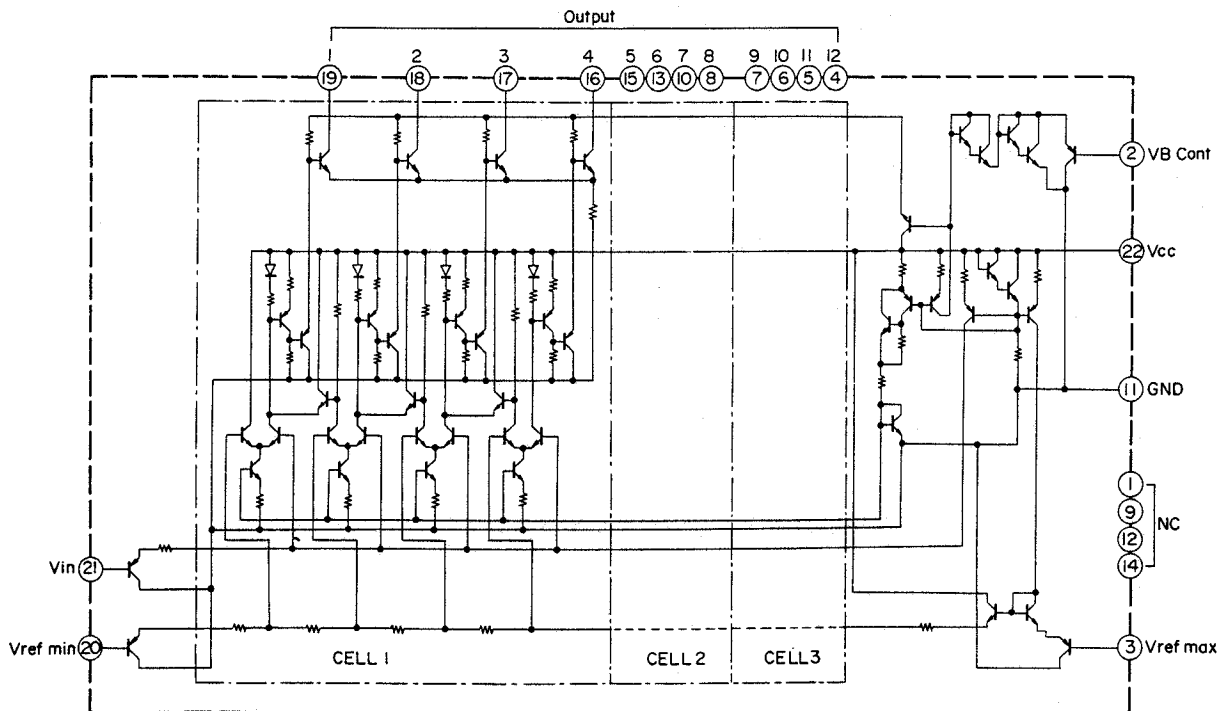
HA12022



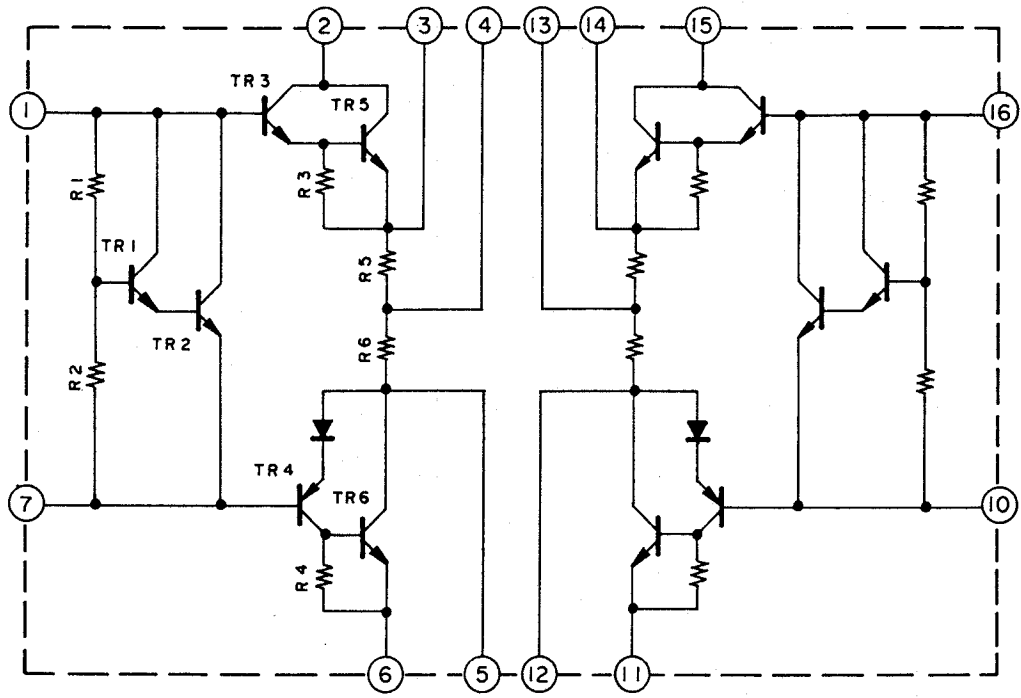
LB1409



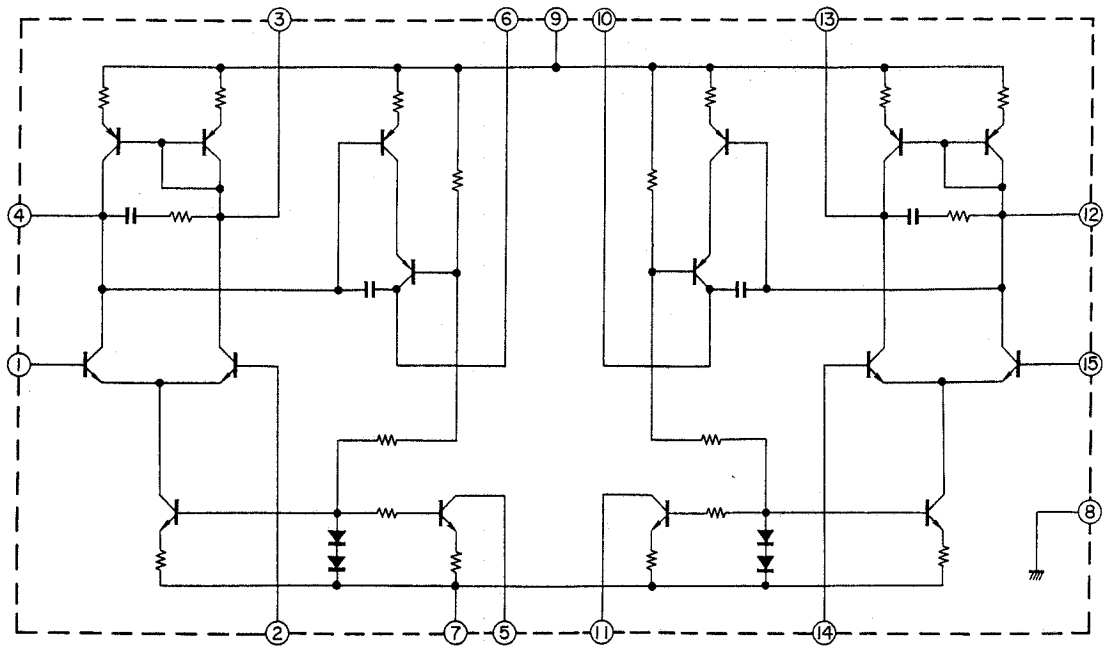
IR2406G



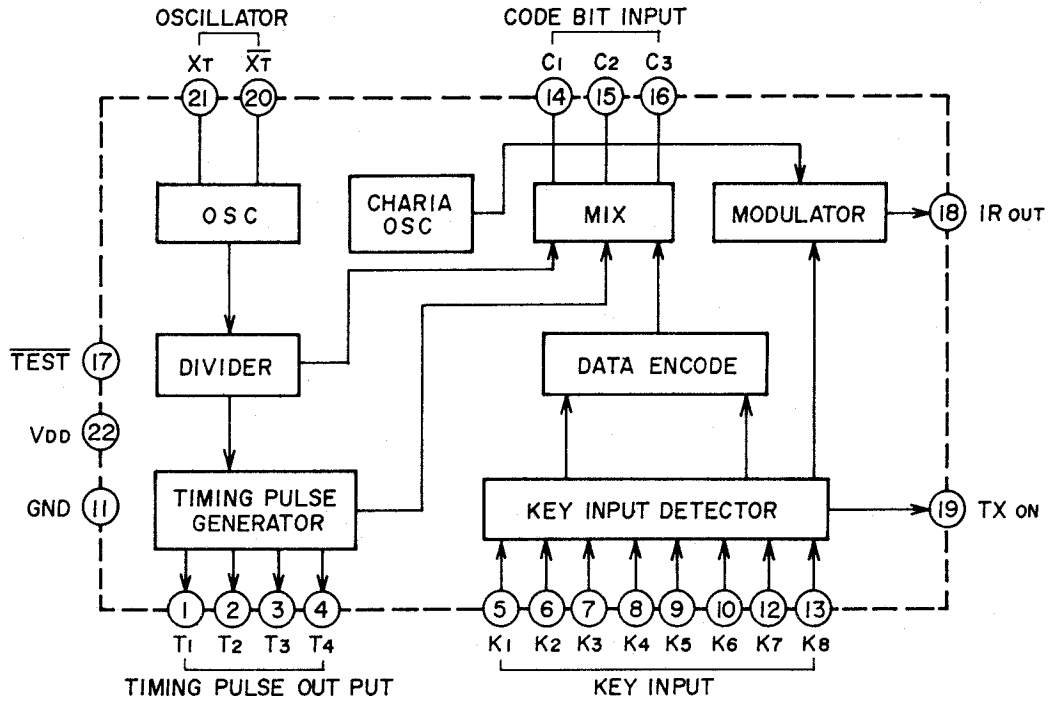
STK2155



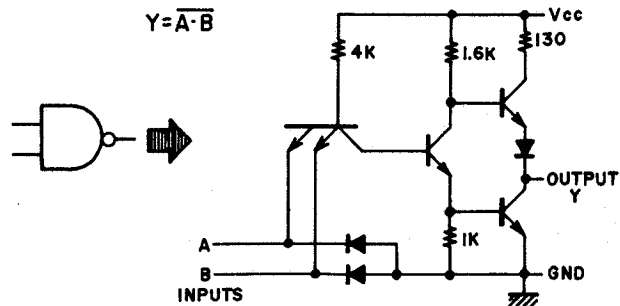
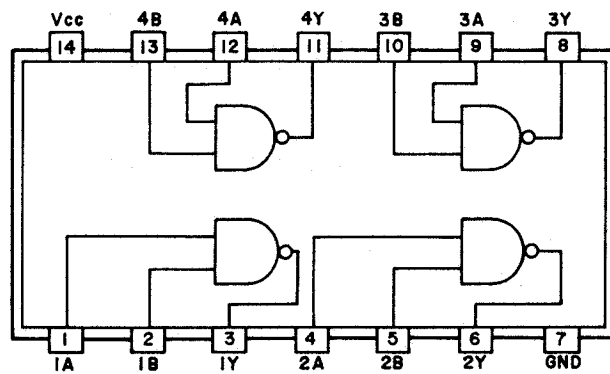
STK3042



TC9132P

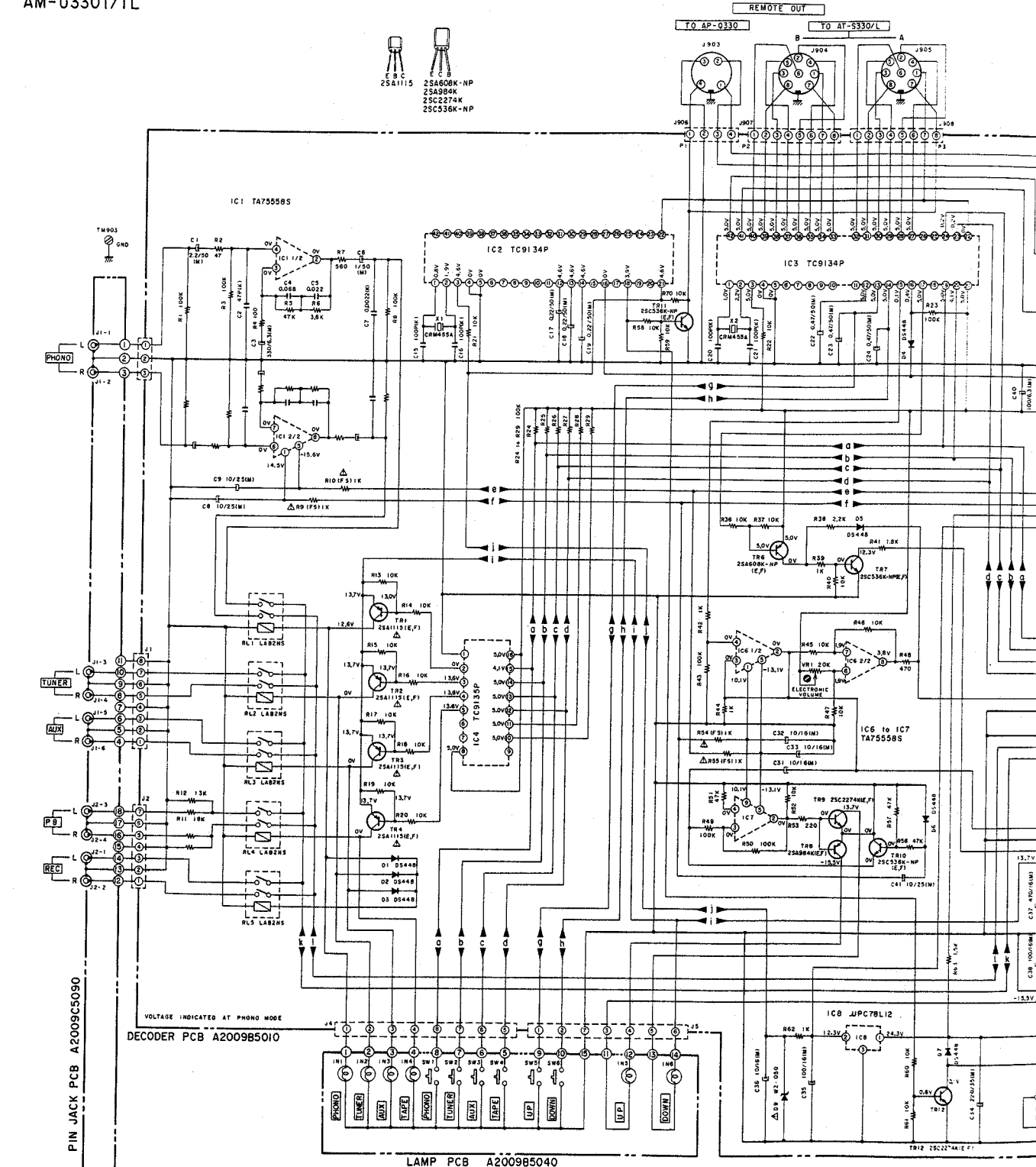


TC40H000P



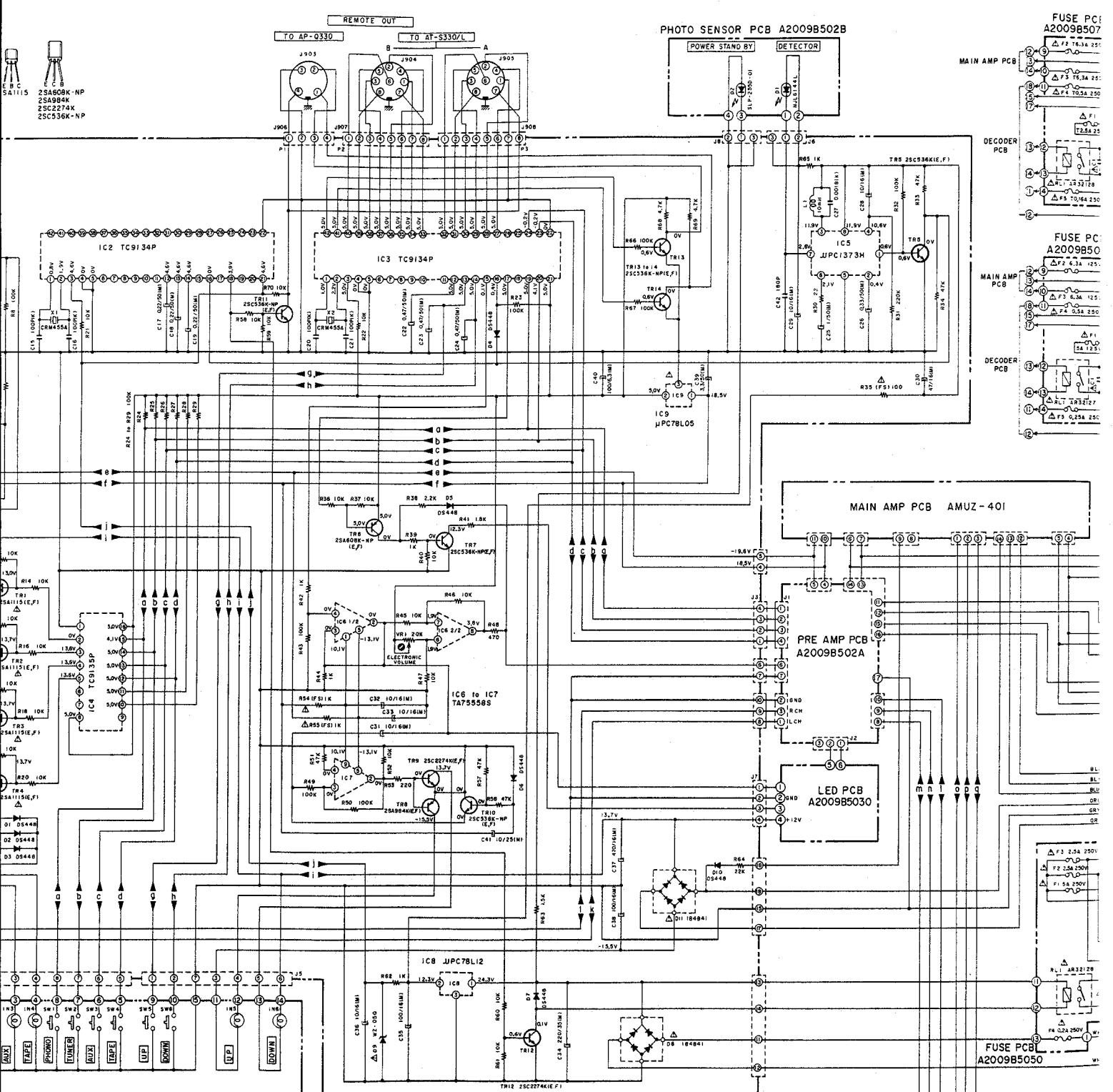
AM-U330T/TL

- 25A1115
- 25A608K-NP
- 25A908K
- 25C2274K
- 25C336K-NP



For Service Manuals
MAURITRON SERVICES
 8 Cherry Tree Road, Chinnor
 Oxfordshire, OX9 4QY.
 Tel (01844) 351694
 Fax (01844) 362554
 email- mauritron@dial.pipex.com

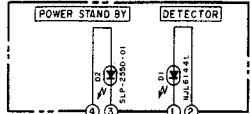
C D E F G H I



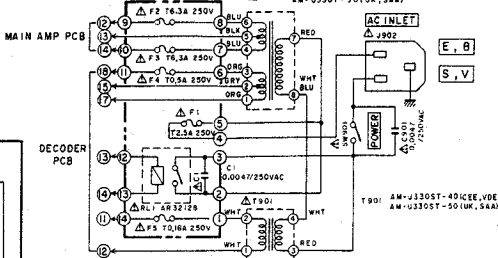
WARNING: Δ INDICATES SAF
REPLACE SAFET
RECOMMENDED F
AVERTISSEMENT: Δ IL INDI
MAINTENIR LE C
COMPOSANTS DO
QUE PAR DES PI

NOTE
UNLESS OTHERWISE SPECIFIC
ALL RESISTORS IN OHMS 1/4W
ALL CAPACITORS IN μF 50 WV
F51 = 5A1 SAFET RESISTORS

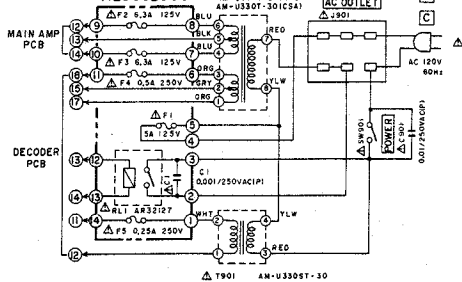
PHOTO SENSOR PCB A2009B502B



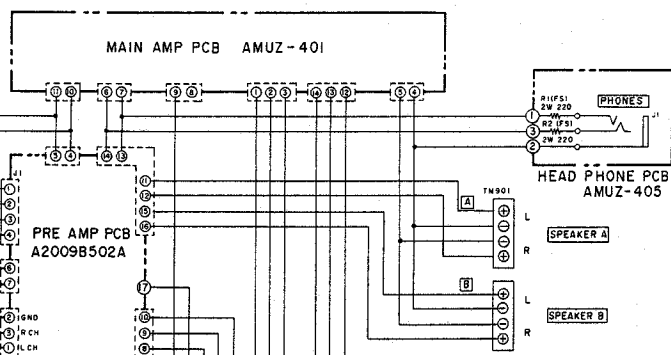
FUSE PCB A2009B5070



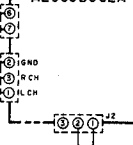
FUSE PCB A2009B5060



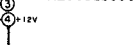
MAIN AMP PCB AMUZ-401



PRE AMP PCB A2009B502A



LED PCB A2009B5030

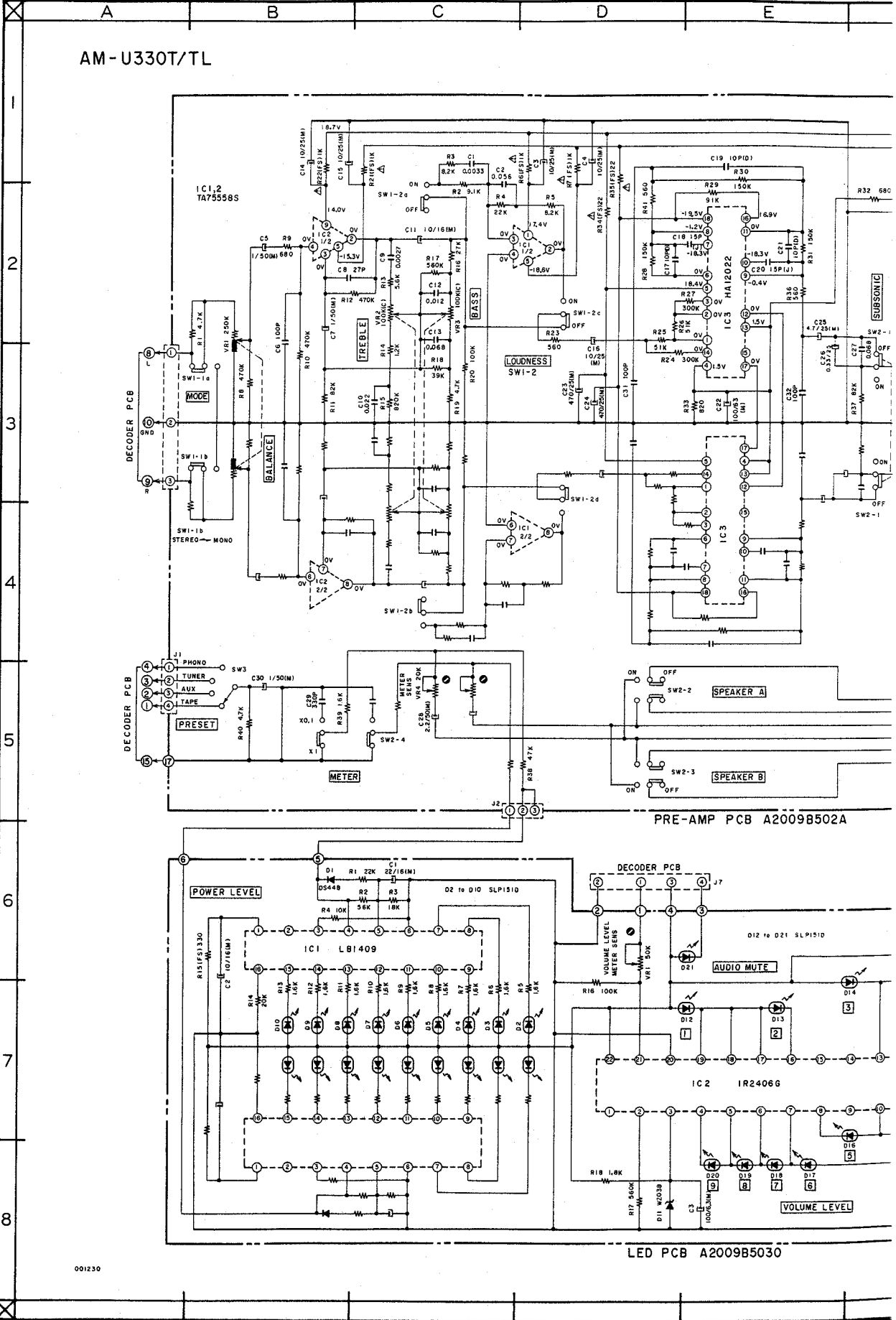


WARNING: Δ INDICATES SAFETY CRITICAL COMPONENTS. FOR CONTINUED SAFETY, REPLACE SAFETY CRITICAL COMPONENTS ONLY WITH MANUFACTURER'S RECOMMENDED PARTS
 AVERTISSEMENT: Δ IL INDIQUE LES COMPOSANTS CRITIQUES DE SÛRETÉ. POUR MAINTENIR LE DEGRÉ DE SÛRETÉ DE L'APPAREIL NE REMPLACER LES COMPOSANTS DONT LE FONCTIONNEMENT EST CRITIQUE POUR LA SÛRETÉ QUE PAR DES PIÈCES RECOMMANDÉES PAR LE FABRICANT

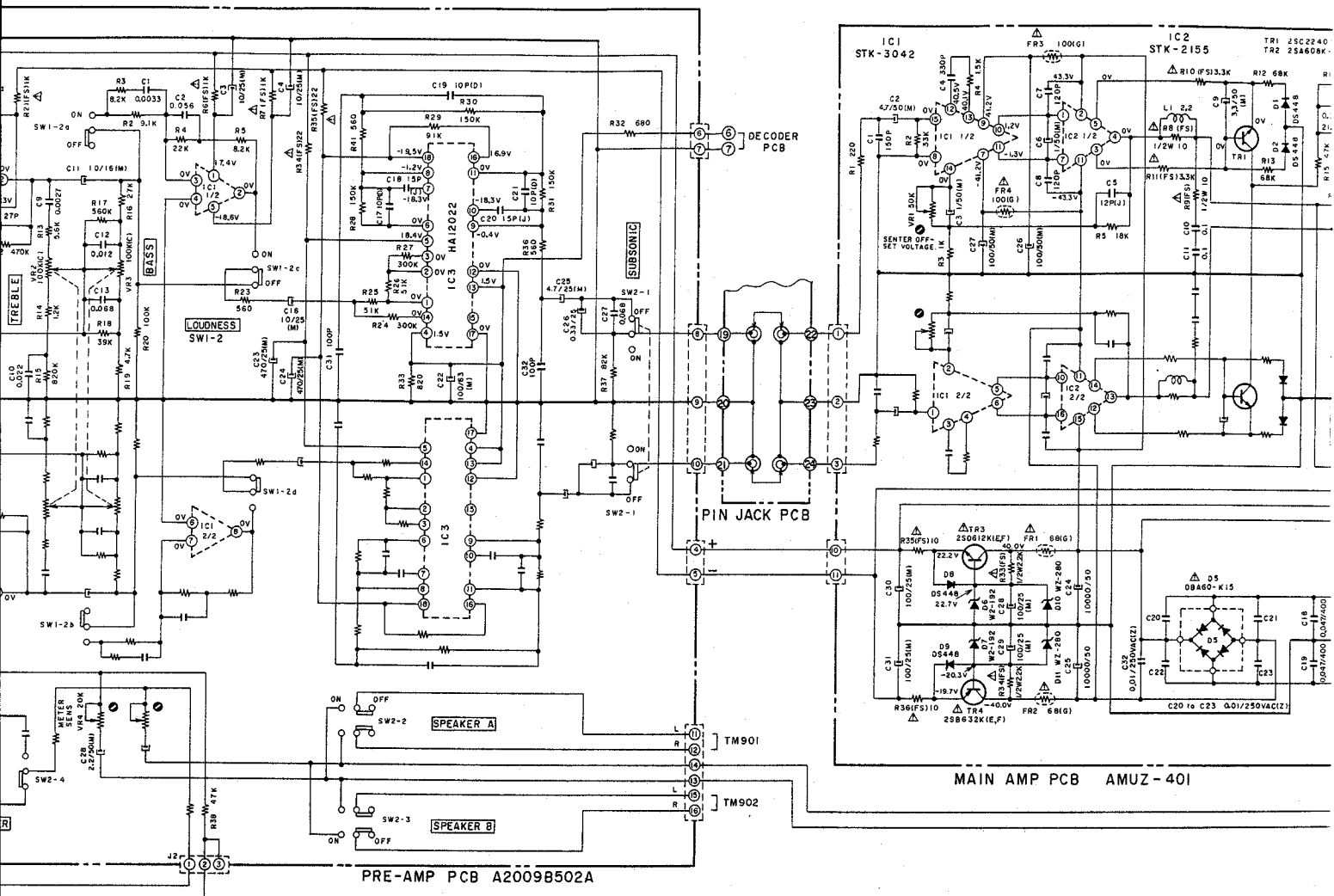
NOTE
 UNLESS OTHERWISE SPECIFIED
 ALL RESISTORS IN OHMS (1/4W (J))
 ALL CAPACITORS IN μF (50 WV (J))
 (FS): FAIL SAFE RESISTORS

AM-U330T/TL
 CONNECTION DIAGRAM
 NO.1-1 001229

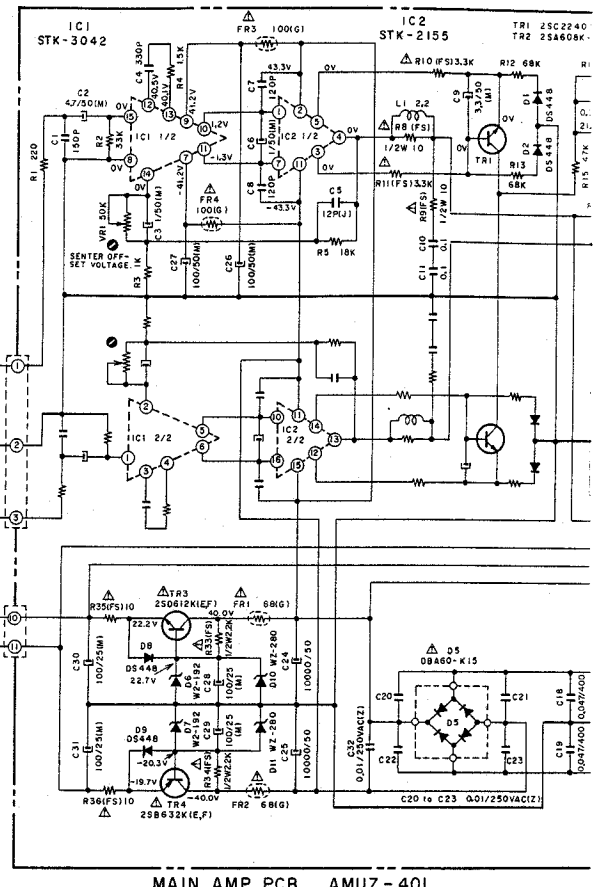
AM-U330T/TL



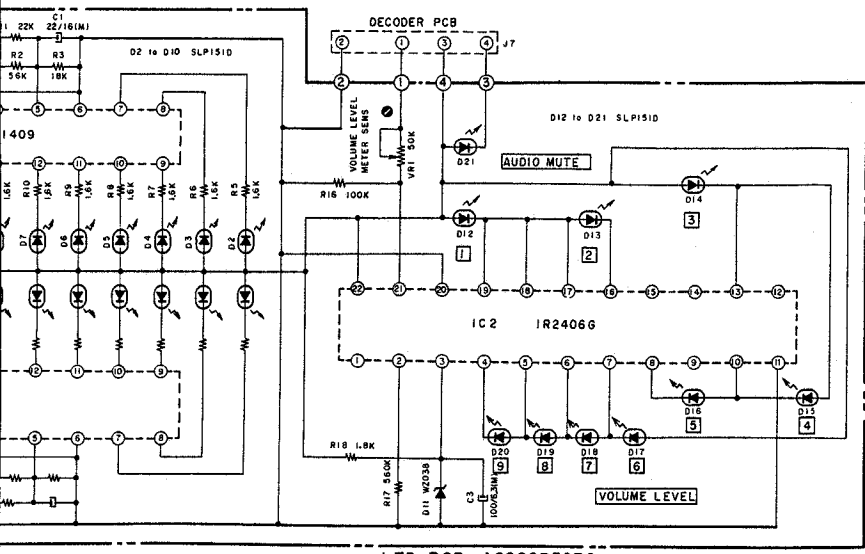
C D E F G H



PRE-AMP PCB A2009B502A

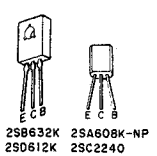


MAIN AMP PCB AMUZ-401



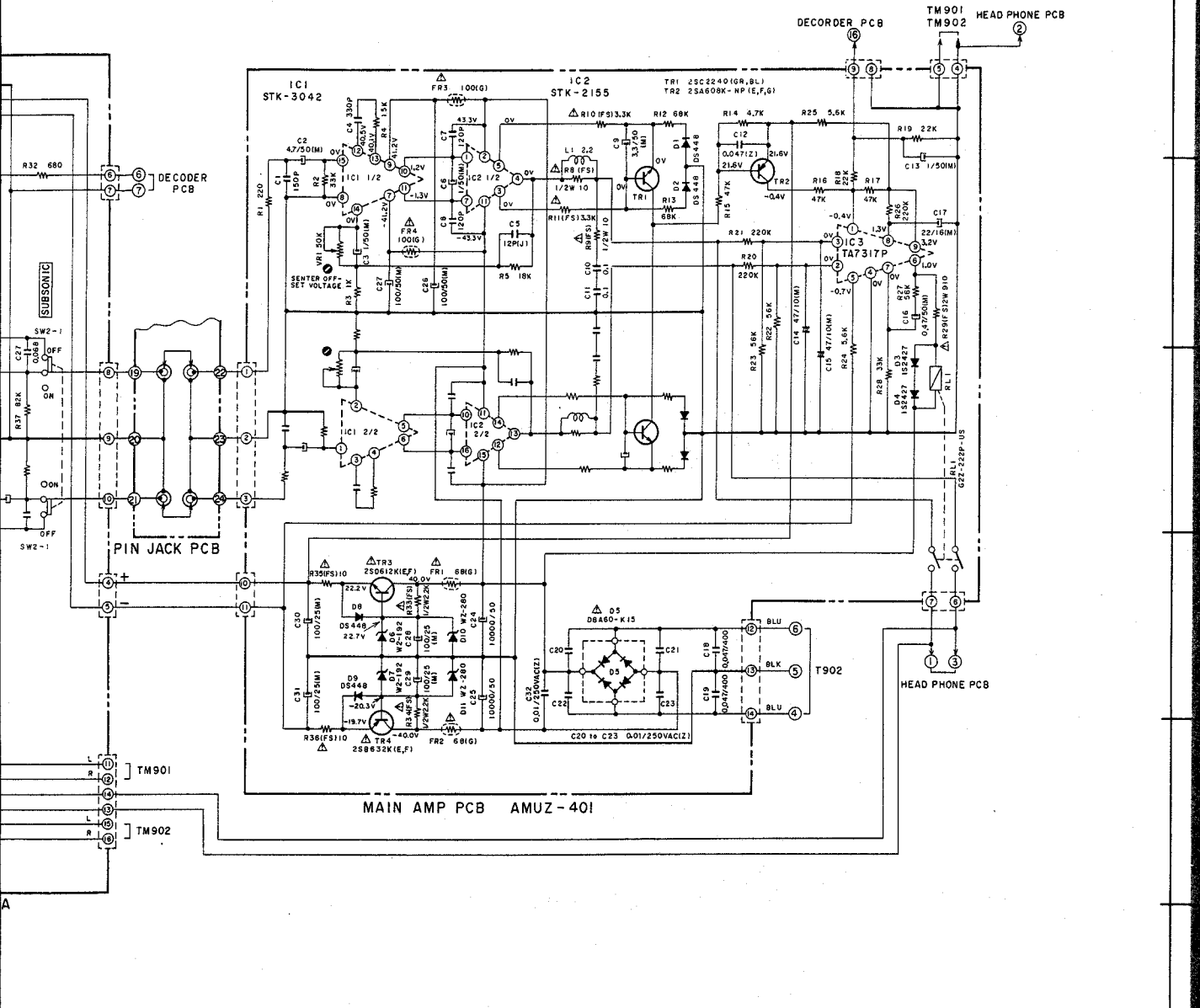
LED PCB A2009B5030

WARNING: ΔINDI
REPLA
RECO
AVERTISSEMENT: MAINTI
COMPQ
QUE P



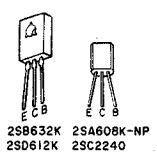
2SB632K 2SA608K-NP
2S0612K 2SC2240

F G H I J K



WARNING: Δ INDICATES SAFETY CRITICAL COMPONENTS. FOR CONTINUED SAFETY, REPLACE SAFETY CRITICAL COMPONENTS ONLY WITH MANUFACTURER'S RECOMMENDED PARTS
 AVERTISSEMENT: Δ IL INDIQUE LES COMPOSANTS CRITIQUES DE SÛRETÉ. POUR MAINTENIR LE DEGRÉ DE SÛRETÉ DE L'APPAREIL, NE REMPLACER LES COMPOSANTS DONT LE FONCTIONNEMENT EST CRITIQUE POUR LA SÛRETÉ QUE PAR DES PIÈCES RECOMMANDÉES PAR LE FABRICANT

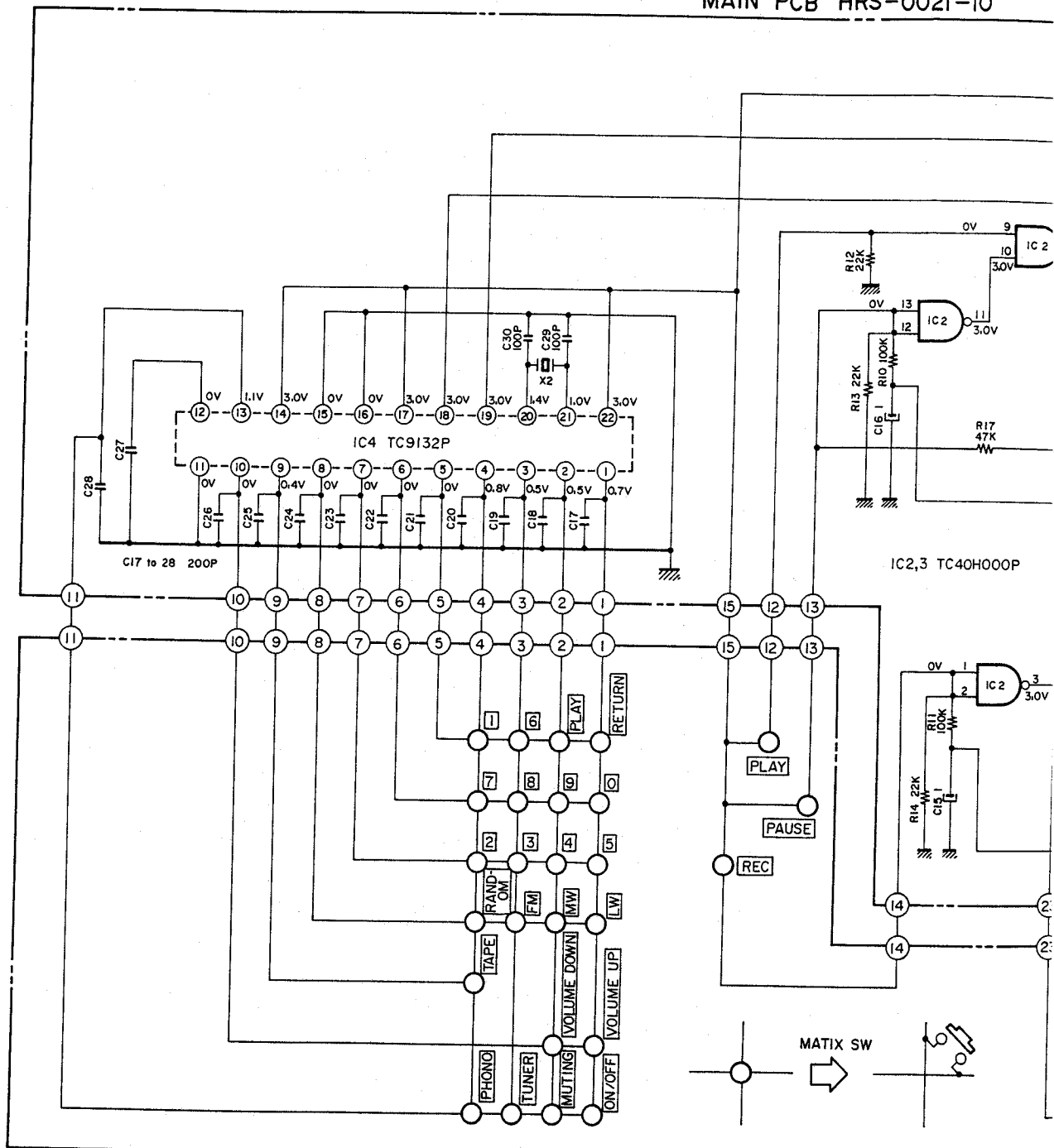
NOTE
 UNLESS OTHERWISE SPECIFIED
 ALL RESISTORS IN OHMS 1/4W(J)
 ALL CAPACITORS IN μ F 50 WV(J)
 (FS) = FAIL SAFE RESISTORS
 (—) = NON-POLAR CAPACITORS



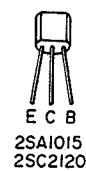
AM-U330T/TL
 PRE / MAIN AMP
 SCHEMATIC DIAGRAM
 NQ2-2 1621054A

RC-3033/L

MAIN PCB HRS-0021-10

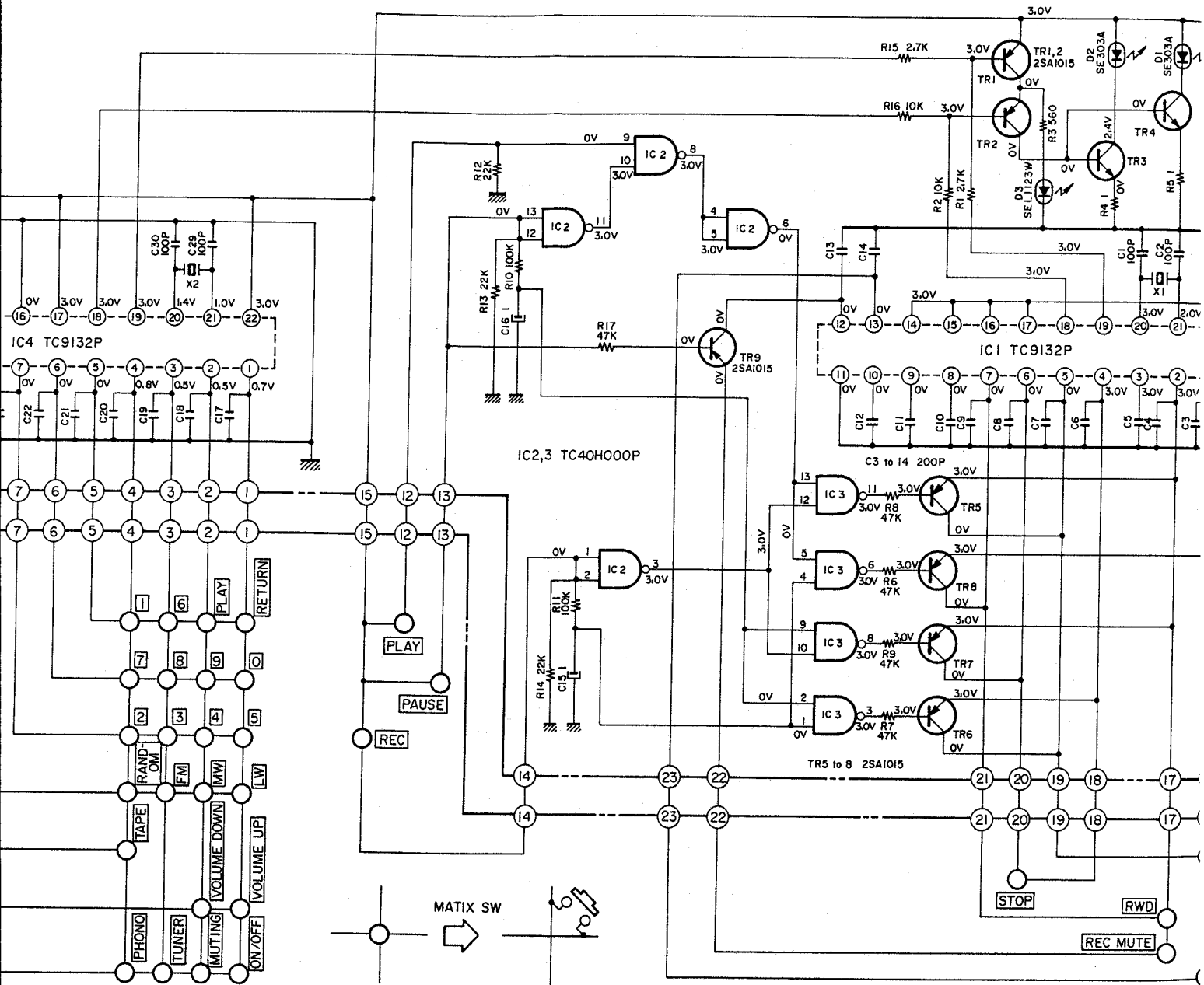


SW PCB HRS-0021-07

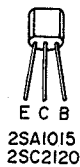


NOTE
UNLESS OTHERWISE
ALL RESISTORS IN ()
ALL CAPACITORS IN []

MAIN PCB HRS-0021-10



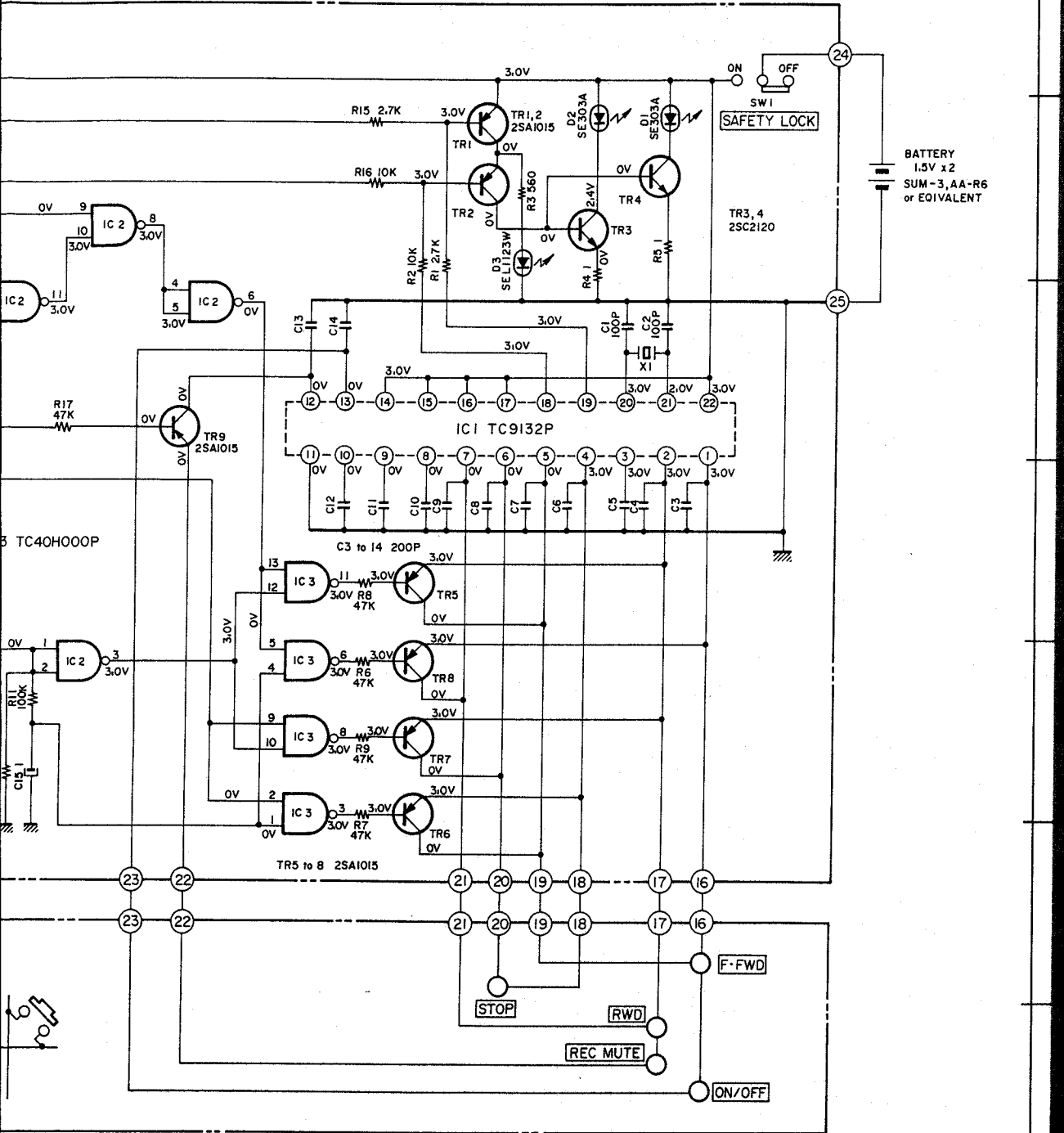
SW PCB HRS-0021-07



NOTE
 UNLESS OTHERWISE SPECIFIED
 ALL RESISTORS IN OHMS 1/4W(J)
 ALL CAPACITORS IN μ F 50WV(J)

RC-303
 SCHEMA

21-10



07

UNLESS OTHERWISE SPECIFIED
 ALL RESISTORS IN OHMS 1/4W(J)
 ALL CAPACITORS IN μ F 50WV(J)

RC-3033/L
 SCHEMATIC DIAGRAM
 NO. 1621654A